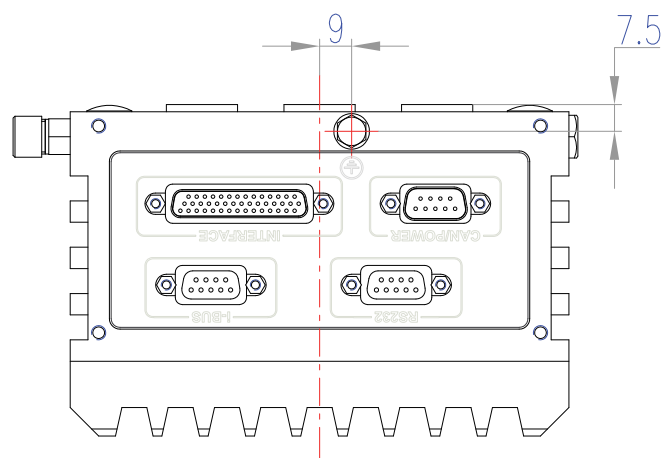
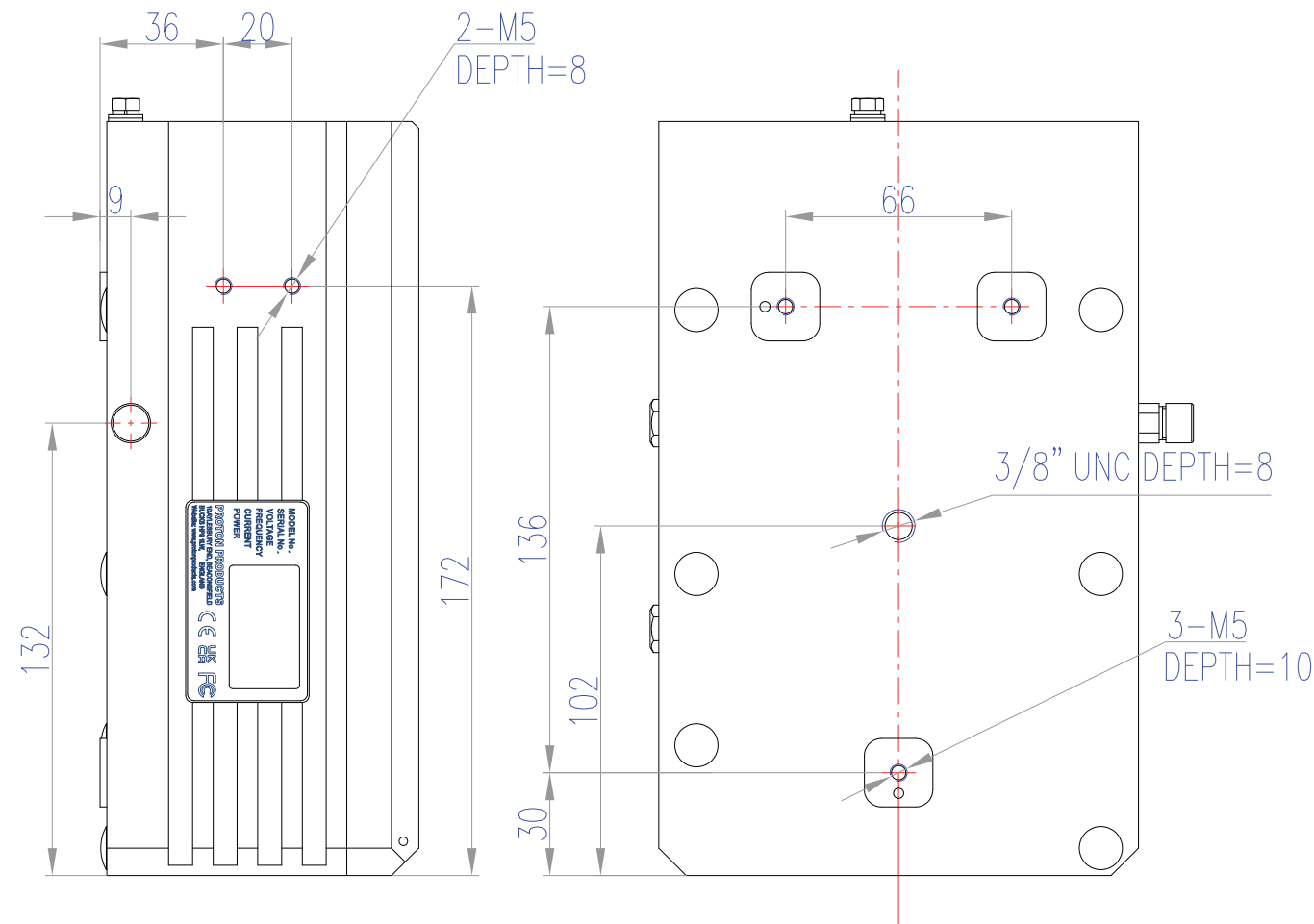
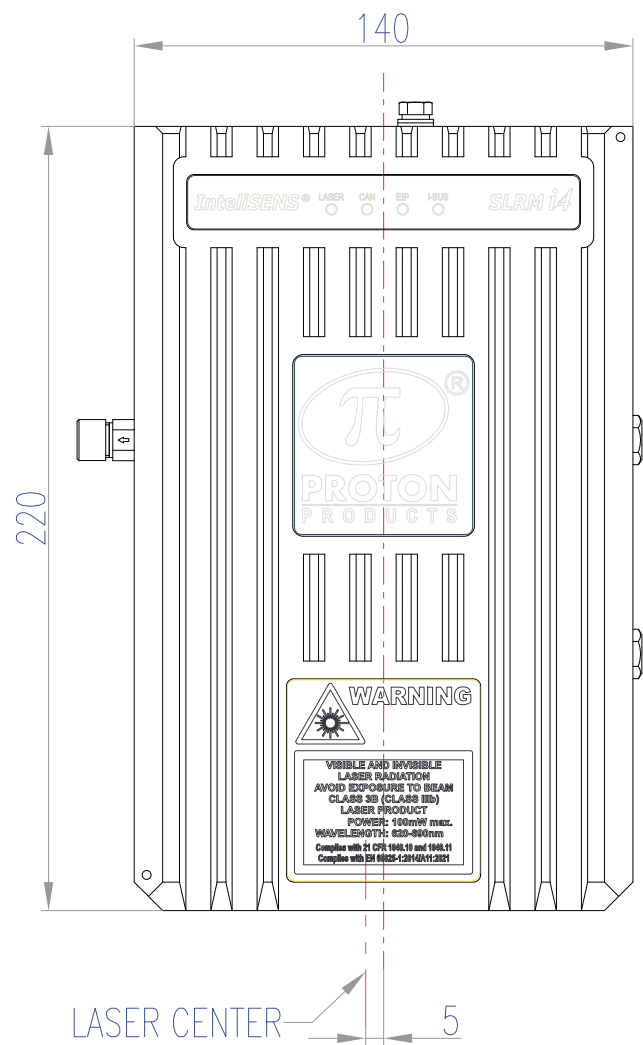
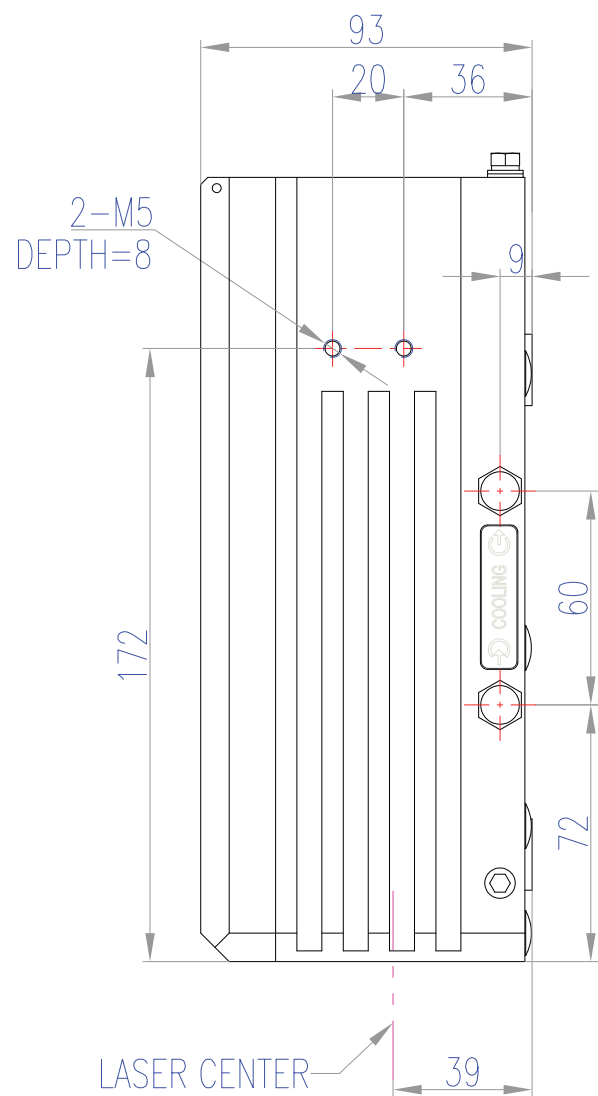
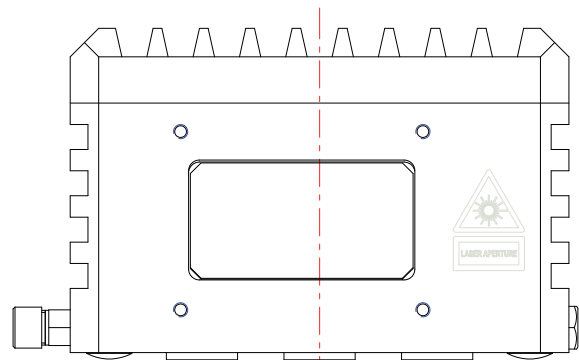


1 2 3 4 5 6 7 8 9 10



UNCURBED TOLERANCES ANGULAR X. ±0.20mm ±15' .0 ±0.10mm .00 ±0.05mm .000 ±0.02mm UNCURBED SURFACE ROUGHNESS 	UNLESS OTHERWISE SPECIFIED ALL DIMENSIONS ARE IN MM BREAK ALL BURRS AND SHARP EDGES FIRST ANGLE PROJECTION 	TITLE			DRAWING No.		
		SLRM6060-i4			00059MC014		
DRAWN CHECKN AUDIT	PROGRAM STANDARD APPROVED	QUANTITY	WEIGHT	SCALE	ASSEMBLY No.		
		1	-	1:1	00059MC014		
PROTON Products (Chengdu) LTD		ISSUE	02	REC.DOC			
		SHEET	1 OF 1	A2			