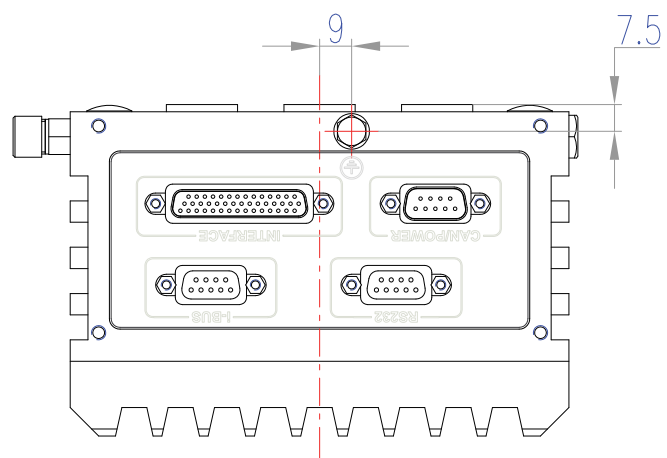
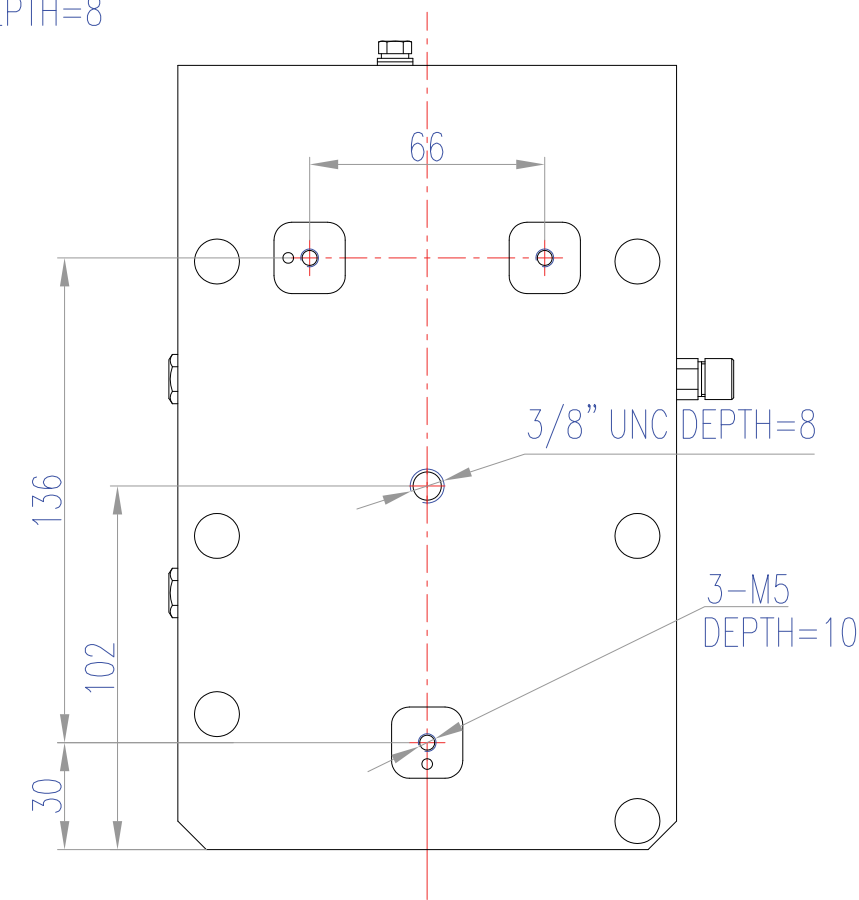
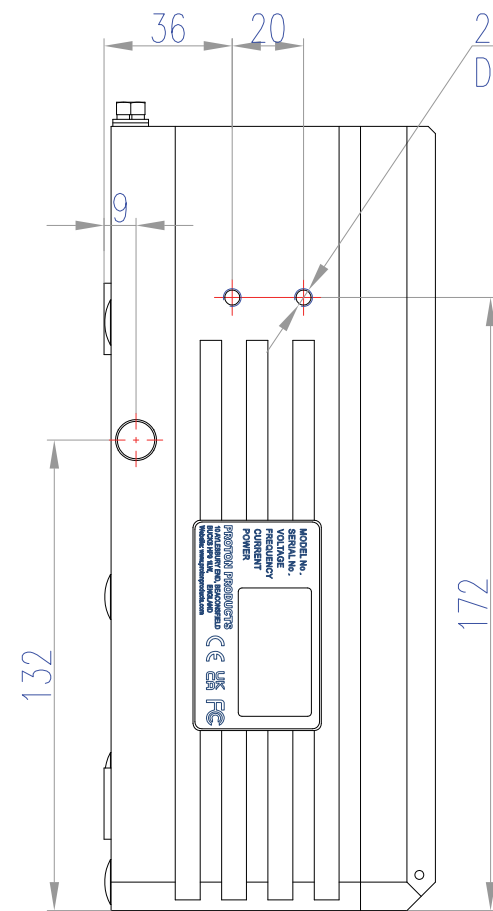
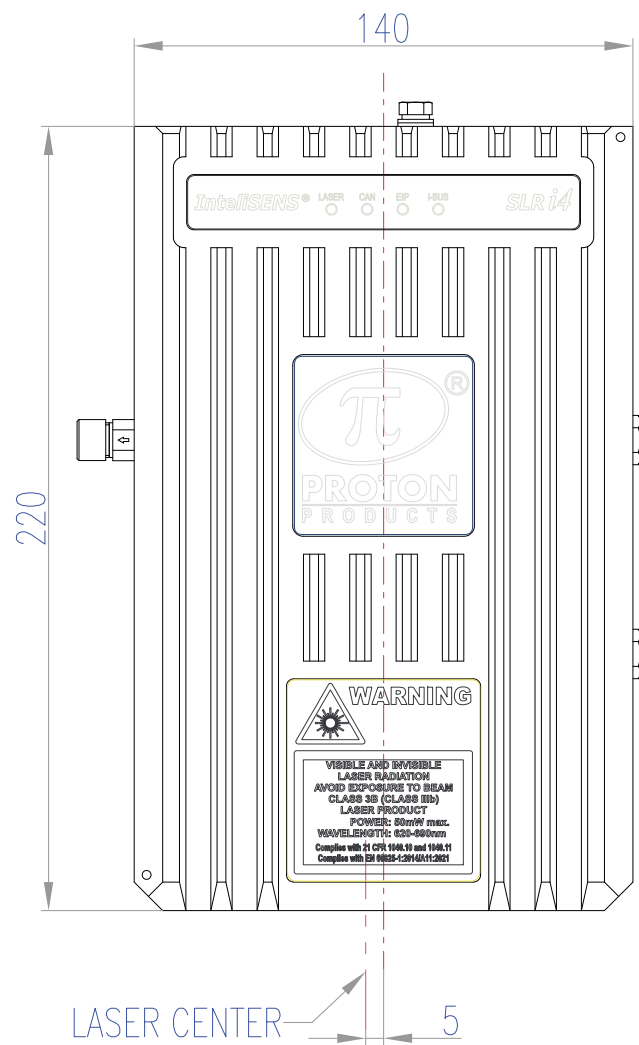
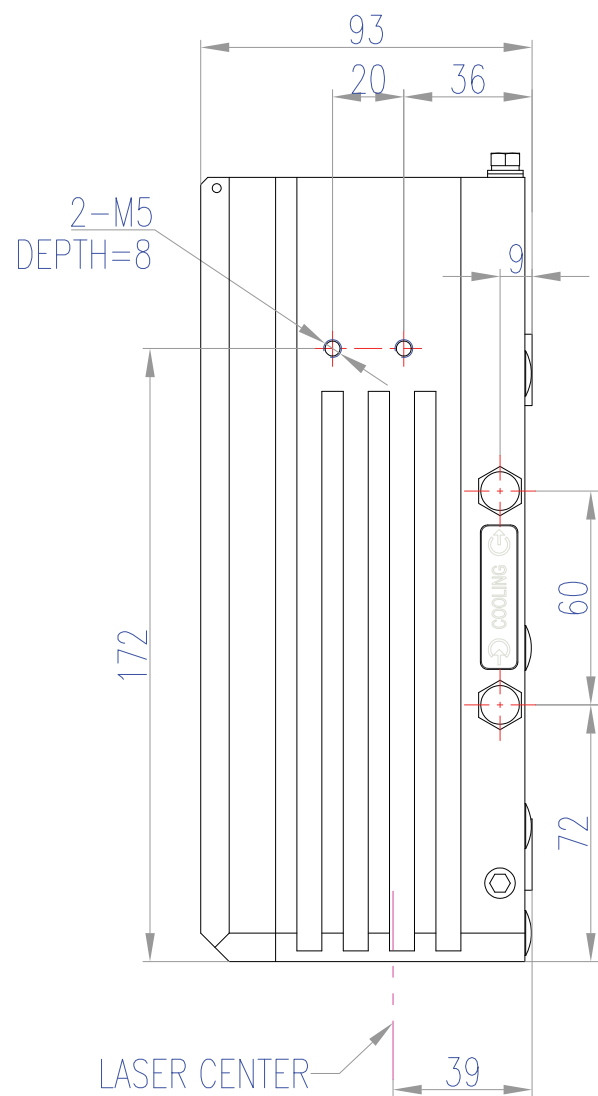
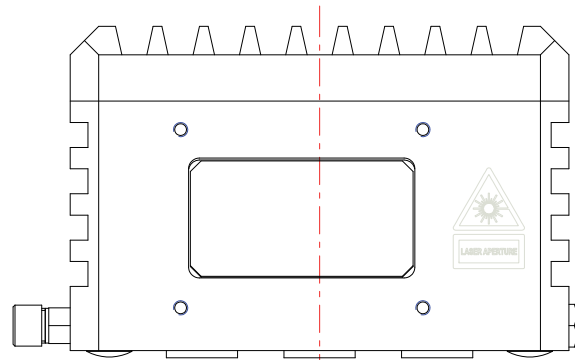


1 2 3 4 5 6 7 8 9 10



UNCURBED TOLERANCES ANGULAR X. ±0.20mm ±15' .0 ±0.10mm .00 ±0.05mm .000 ±0.02mm UNCURBED SURFACE ROUGHNESS 3.2	UNLESS OTHERWISE SPECIFIED ALL DIMENSIONS ARE IN MM	TITLE			DRAWING No.		
	BREAK ALL BURRS AND SHARP EDGES	SLR3060-i4			00059MC012		
FIRST ANGLE PROJECTION	<input checked="" type="checkbox"/> FIRST ANGLE PROJECTION <input type="checkbox"/> THIRD ANGLE PROJECTION	QUANTITY	WEIGHT	SCALE	ASSEMBLY		
		1	-	1:1	ASSEMBLY No.		
DRAWN	PROGRAM	PROTON PRODUCTS (Chengdu) LTD			ISSUE	02	REC.DOC
CHECKN	STANDARD				SHEET	1 OF 1	A2
AUDIT	APPROVED						