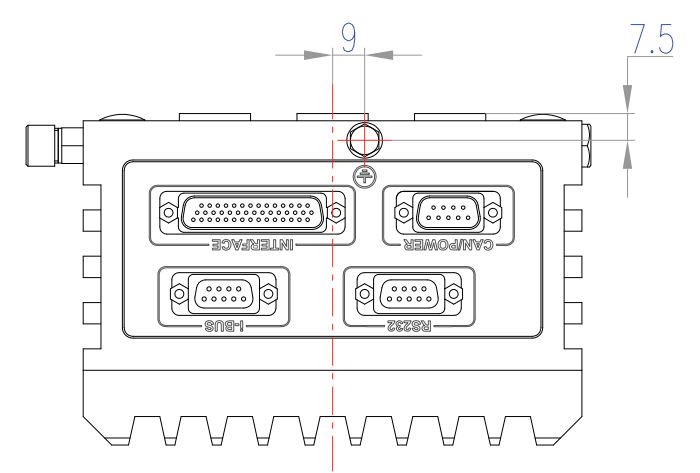
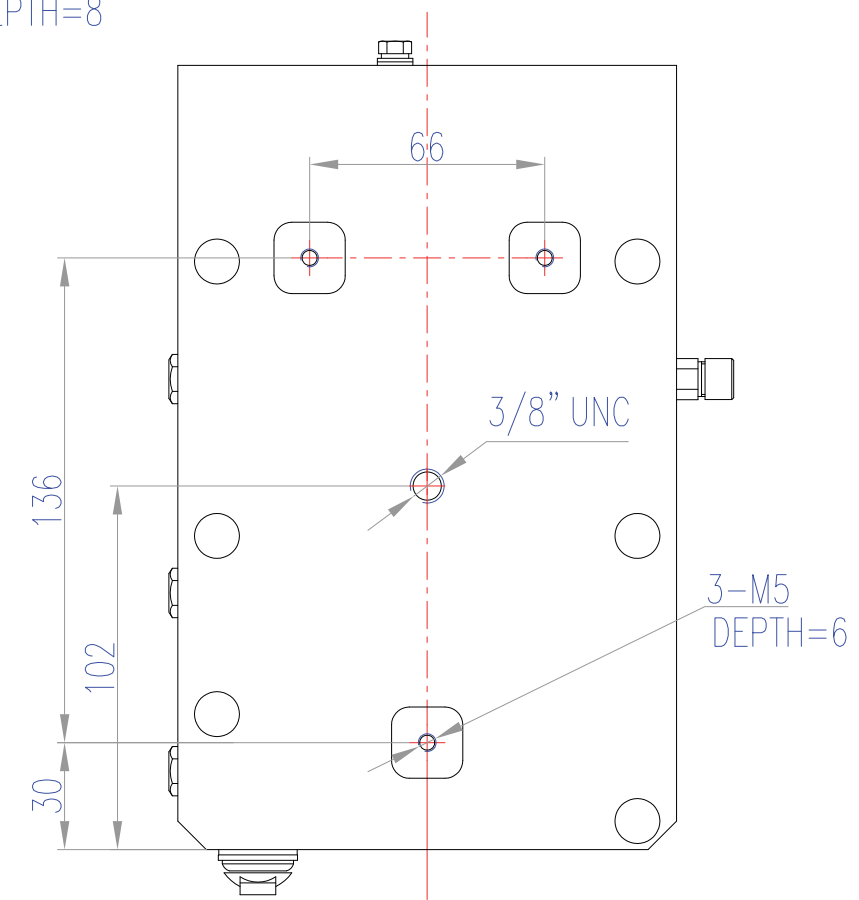
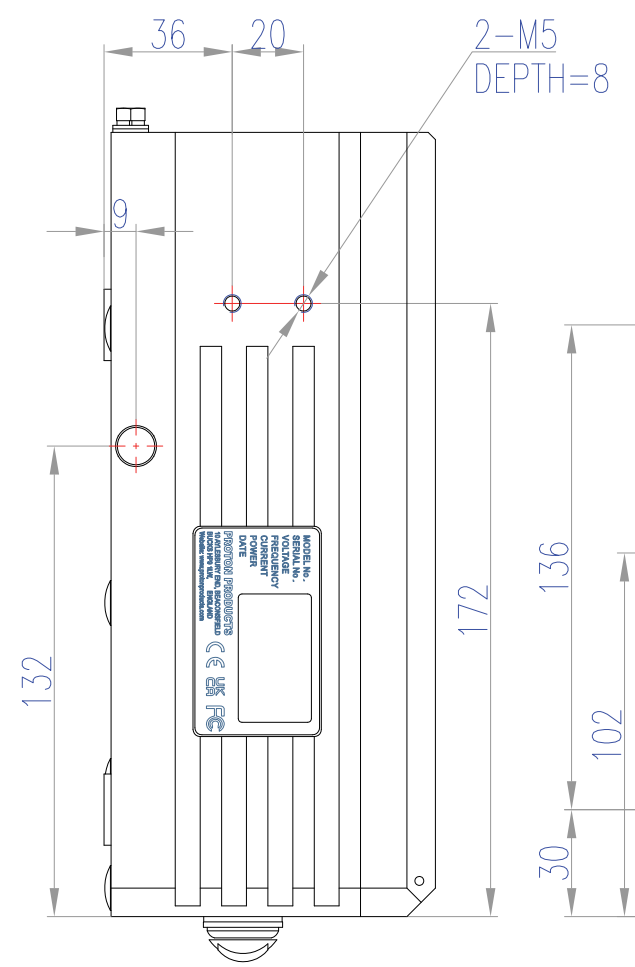
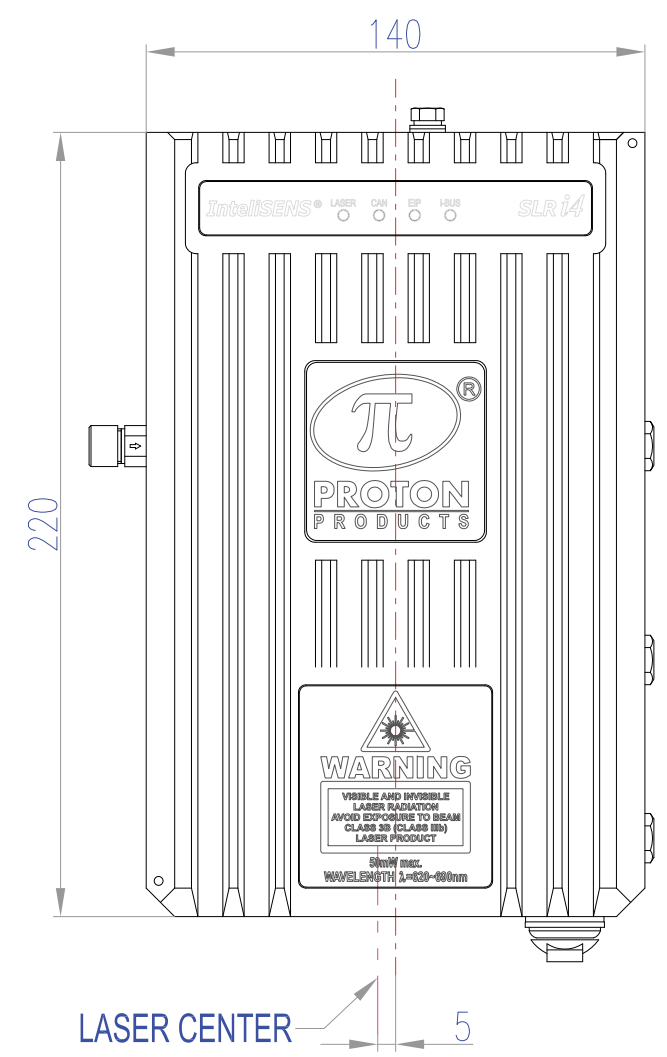
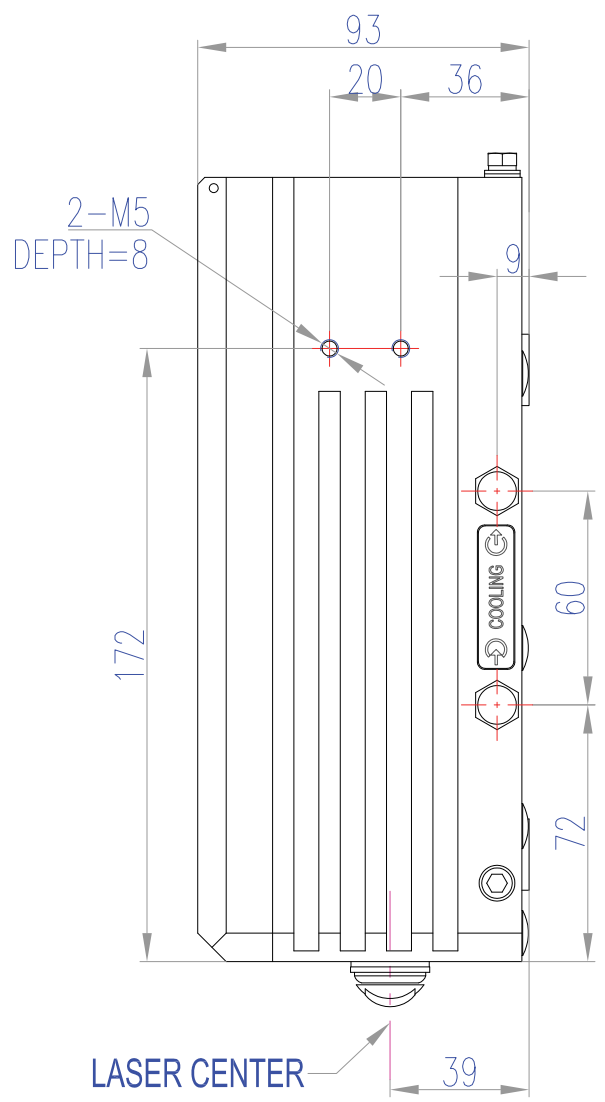
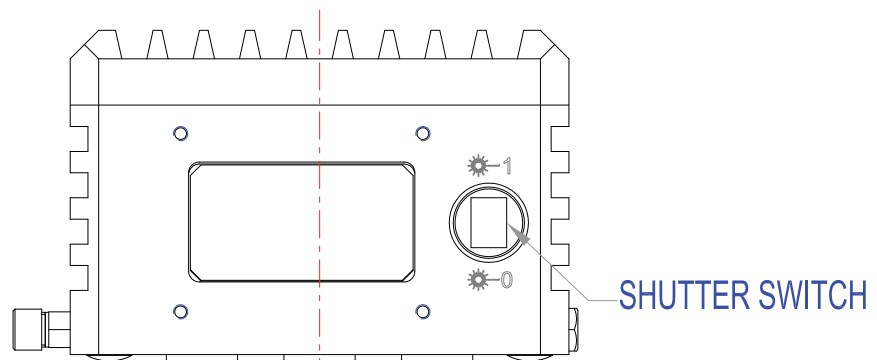


1 2 3 4 5 6 7 8 9 10



UNCURBED TOLERANCES ANGULAR		UNLESS OTHERWISE SPECIFIED ALL DIMENSIONS ARE IN MM		TITLE		DRAWING No.		
X. ±0.20mm ±15'		BREAK ALL BURRS AND SHARP EDGES		SLR1525 i4		00059MC011		
.0 ±0.10mm		FIRST ANGLE PROJECTION				MATERIAL		
.00 ±0.05mm				ASSEMBLY				
.000 ±0.02mm		QUANTITY	WEIGHT	SCALE	ASSEMBLY No.			
UNCURBED SURFACE ROUGHNESS		1	-	1:1	00059MC011			
3.2		DRAWN	PROGRAM	PROTON Products (Chengdu) LTD		ISSUE	01	REC.DOC
		CHECKN	STANDARD			00059MC011		
		AUDIT	APPROVED			SHEET	1 OF 1	A2