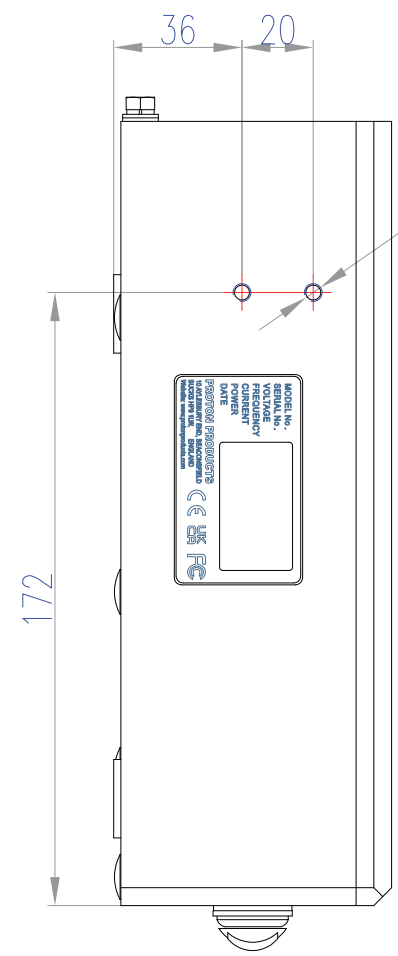
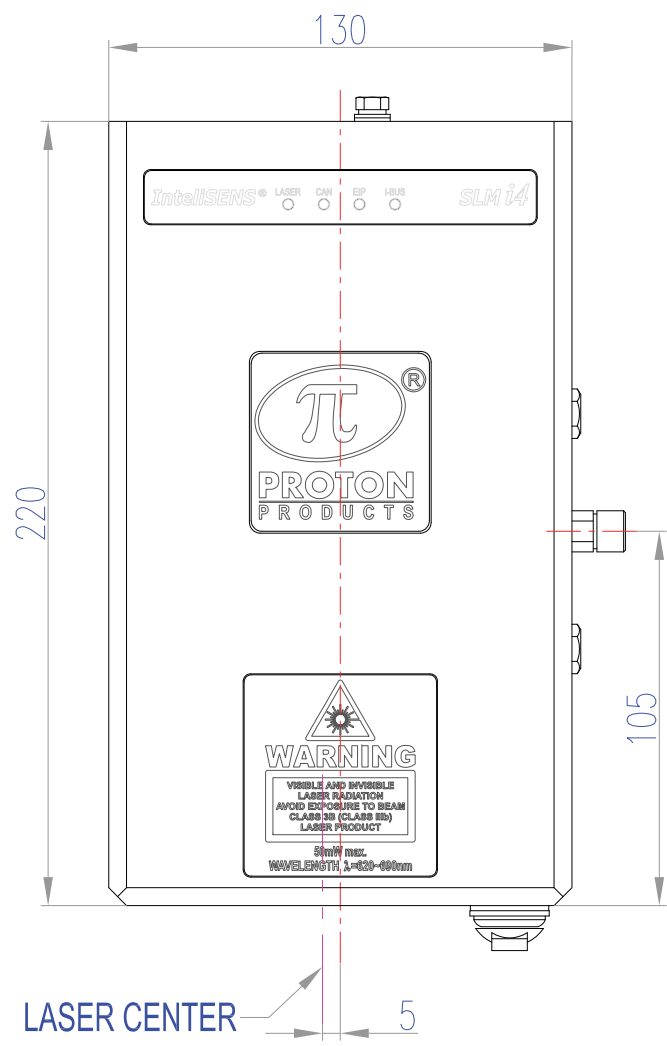
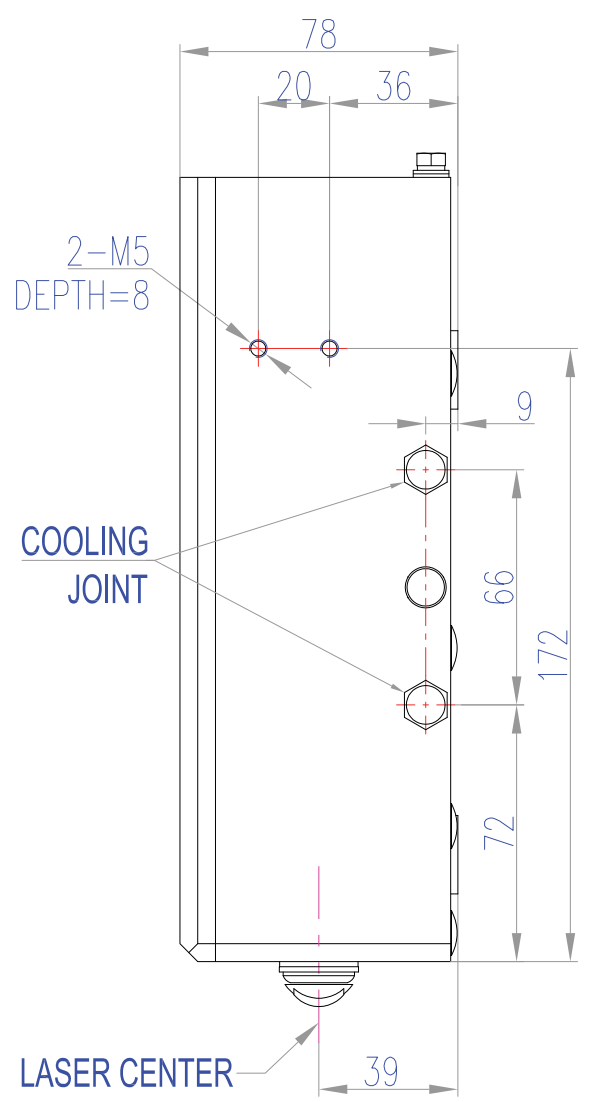
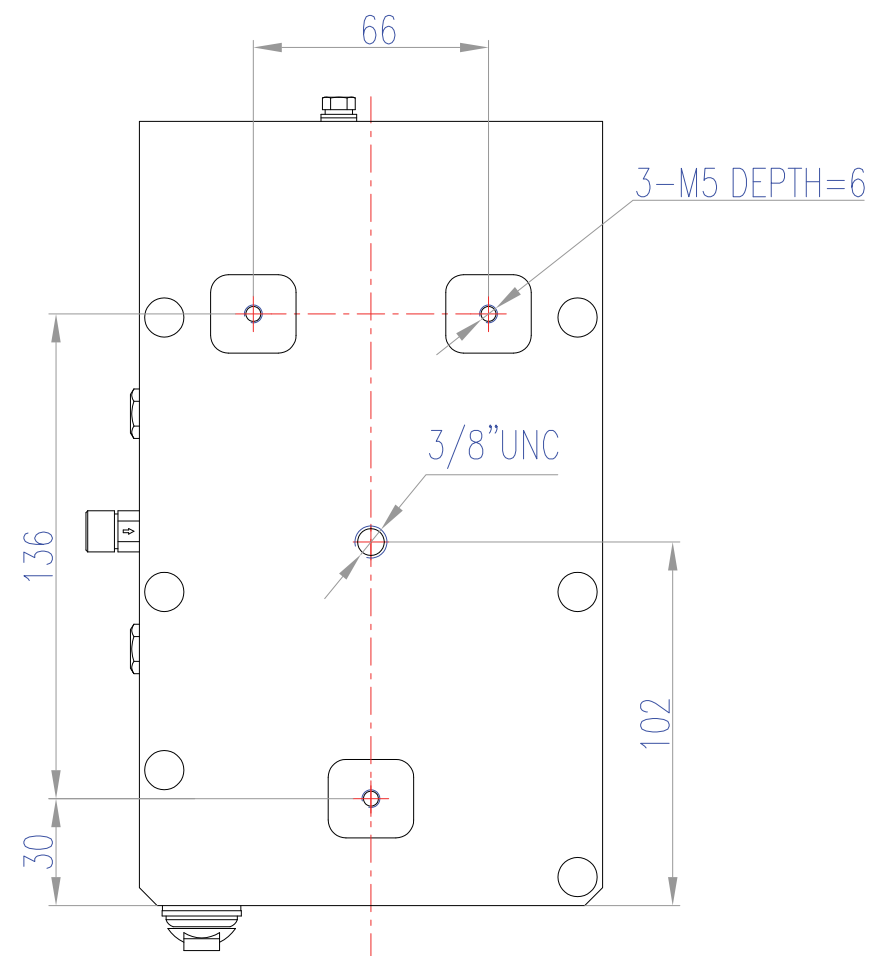


SHUTTER SWITCH

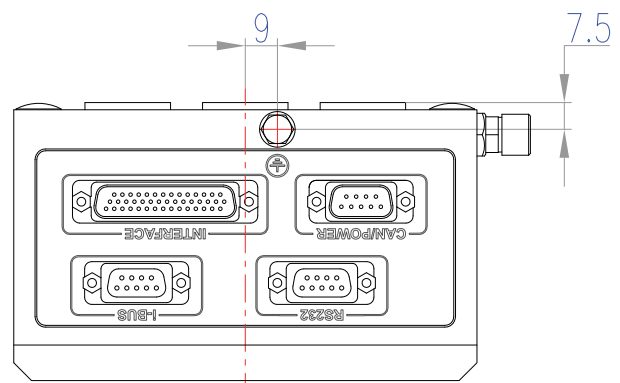


2-M5 DEPTH=8



3-M5 DEPTH=6

3/8"UNC



UNCURBED TOLERANCES ANGULAR X. ±0.20mm ±15' .0 ±0.10mm .00 ±0.05mm .000 ±0.02mm UNCURBED SURFACE ROUGHNESS 3.2	UNLESS OTHERWISE SPECIFIED ALL DIMENSIONS ARE IN MM BREAK ALL BURRS AND SHARP EDGES FIRST ANGLE PROJECTION	TITLE			DRAWING No.		
		SLM100100 i4			00059MC005		
DRAWN CHECKN AUDIT	PROGRAM STANDARD APPROVED	QUANTITY	WEIGHT	SCALE	ASSEMBLY No.		
		1	-	1:1	00059MC005		
PROTON PRODUCTS (Chengdu) LTD		ISSUE	01	REC.DOC			
SHEET		1 OF 1		A2			