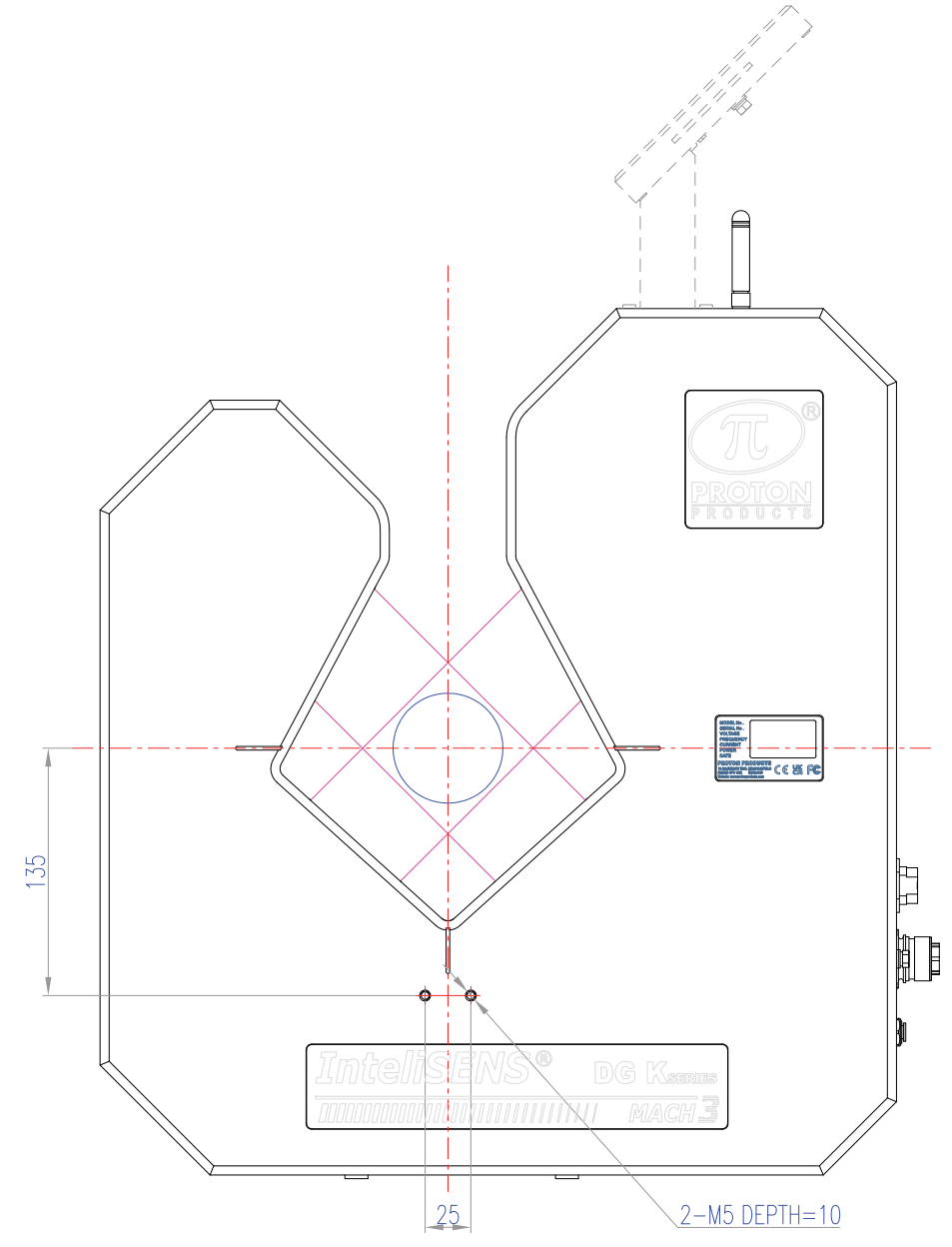
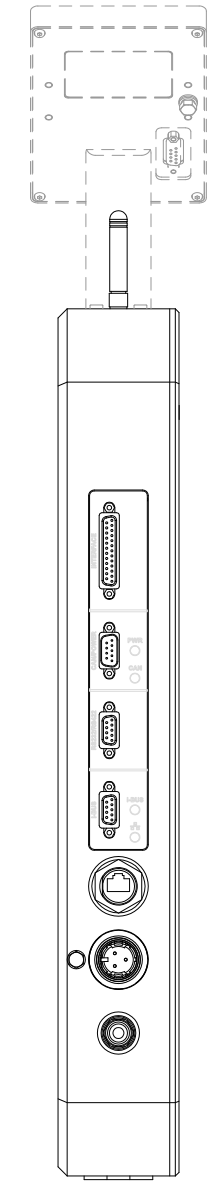
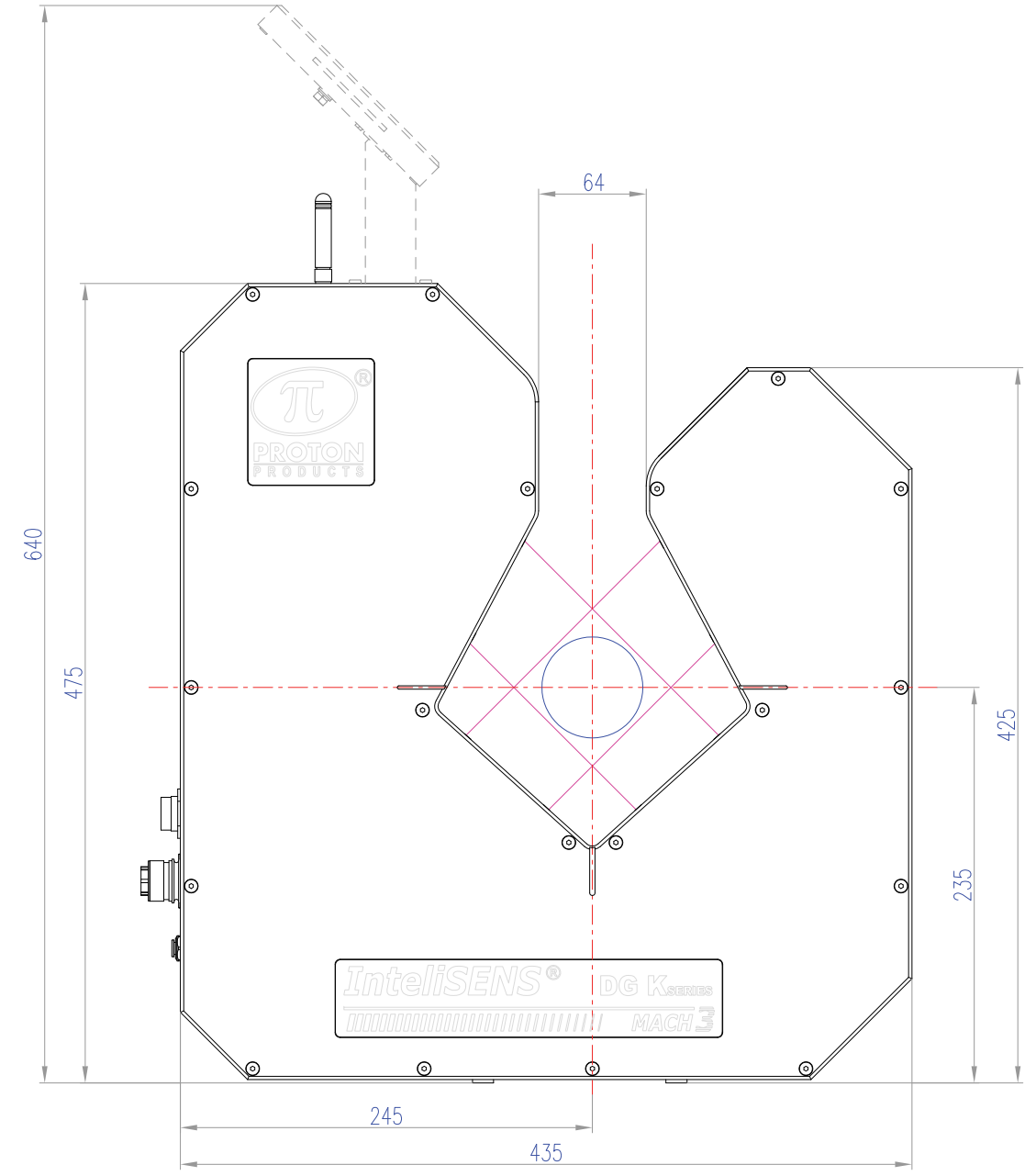
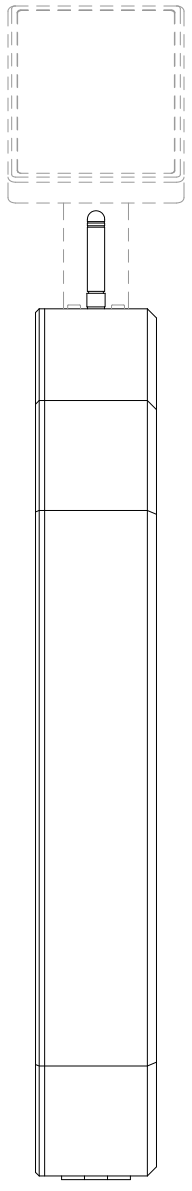
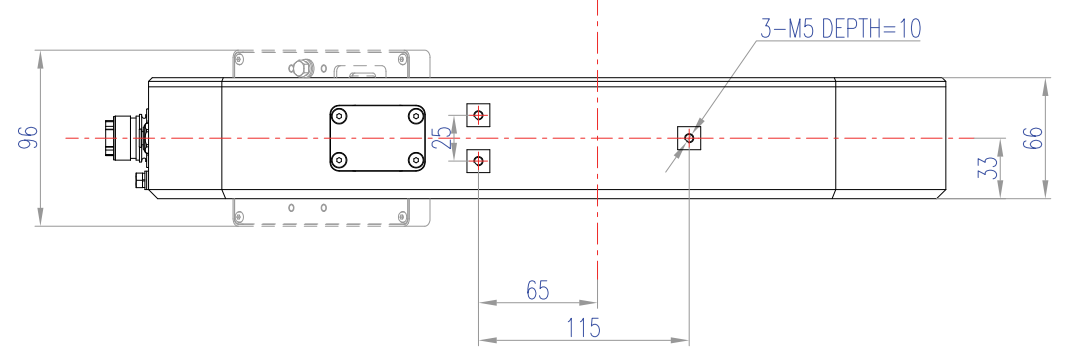


1 2 3 4 5 6 7 8 9 10



UNCURBED TOLERANCES ANGULAR X. ±0.20mm ±15' .0 ±0.10mm .00 ±0.05mm .000 ±0.02mm UNCURBED SURFACE ROUGHNESS 		UNLESS OTHERWISE SPECIFIED ALL DIMENSIONS ARE IN MM BREAK ALL BURRS AND SHARP EDGES FIRST ANGLE PROJECTION		TITLE DG2060-k-AC-MKIII			DRAWING No. 00057MC006		
		QUANTITY 1			WEIGHT 		SCALE 1:1		
DRAWN 		PROGRAM 		PROTON PRODUCTS (Chengdu) LTD			ASSEMBLY No. 00057MC006		
CHECKN 		STANDARD 		SHEET 1 OF 1			ISSUE 01		
AUDIT 		APPROVED 		PROTON PRODUCTS			REC.DOC A2		