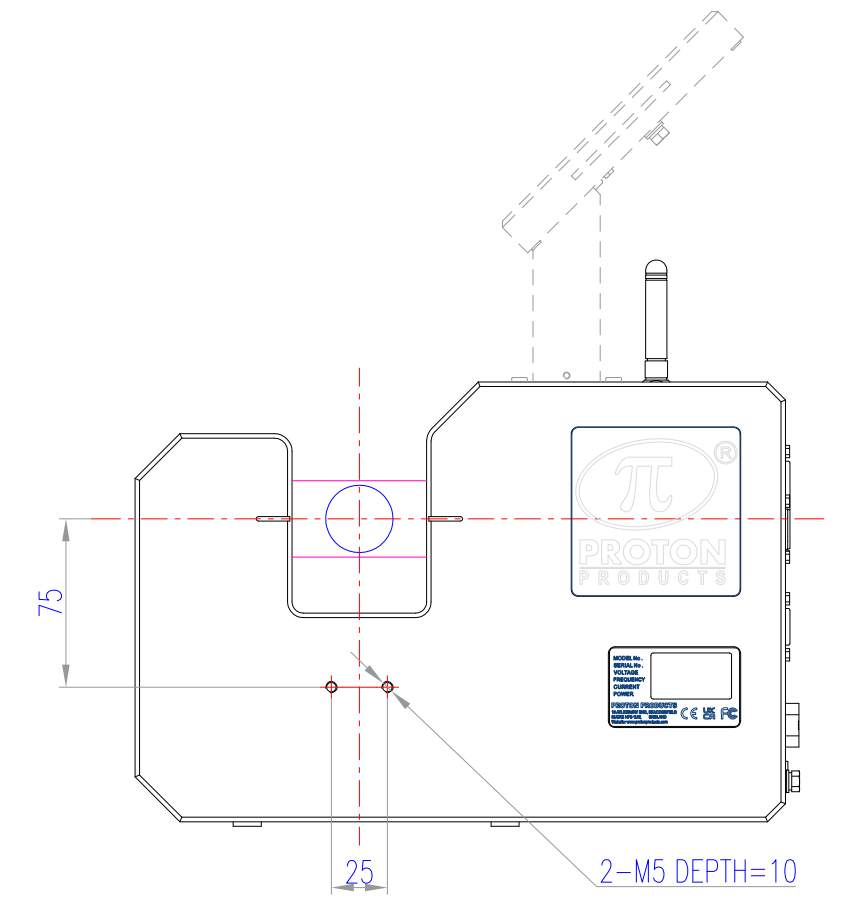
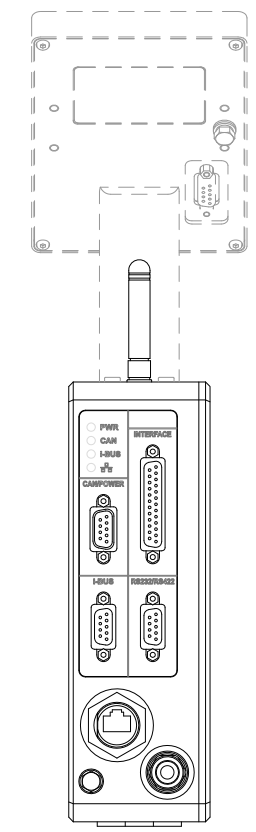
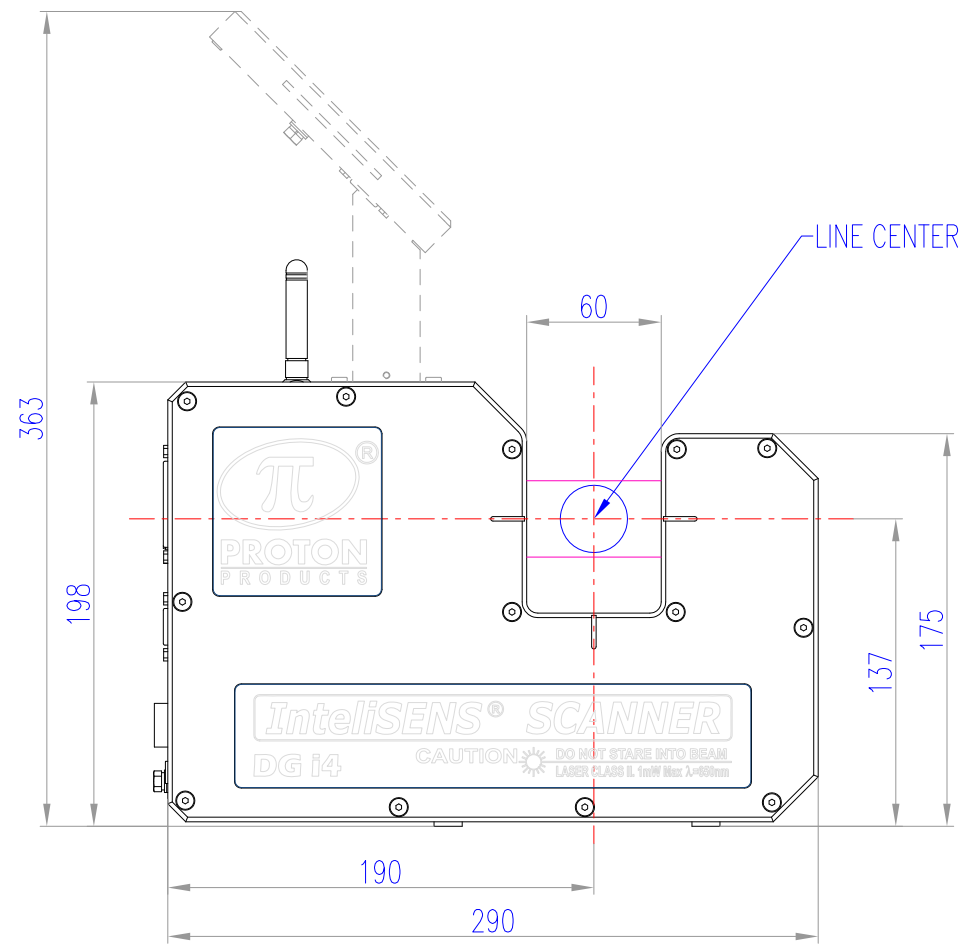
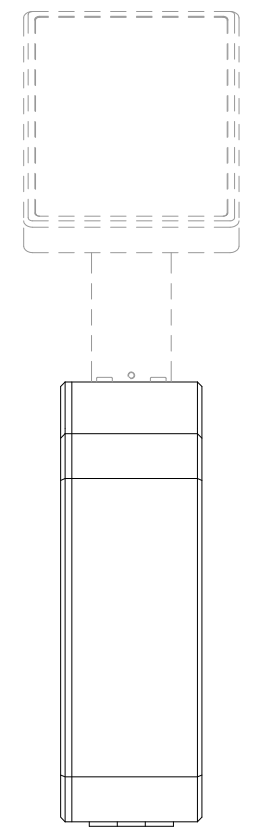
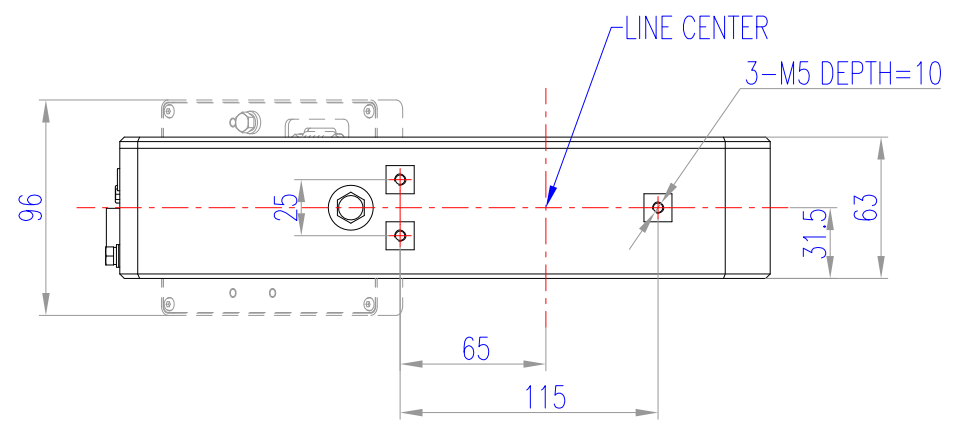


1 2 3 4 5 6 7 8 9 10



UNCURRED TOLERANCES ANGULAR X. ±0.20mm ±15' .0 ±0.10mm .00 ±0.05mm .000 ±0.02mm UNCURRED SURFACE ROUGHNESS 	UNLESS OTHERWISE SPECIFIED ALL DIMENSIONS ARE IN MM			TITLE			DRAWING No.					
	BREAK ALL BURRS AND SHARP EDGES			DG1030-i4			00054MC001					
	FIRST ANGLE PROJECTION						MATERIAL					
				QUANTITY	WEIGHT	SCALE	ASSEMBLY No.					
DRAWN			PROGRAM			1		1:1	00054MC001			
CHECKN			STANDARD			PROTON Products (Chengdu) LTD			ISSUE	02	REC.DOC	
AUDIT			APPROVED						SHEET	1 OF 1		A2