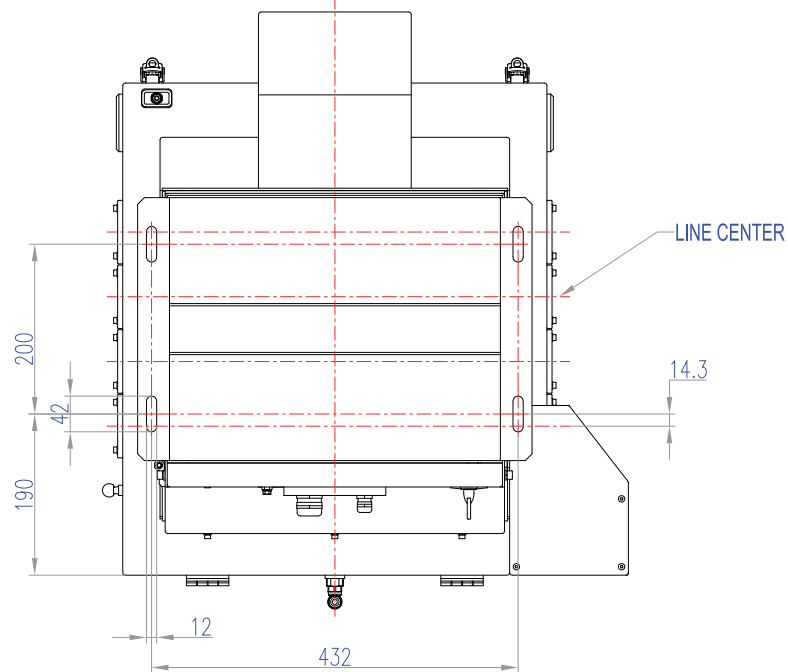


VIEW A



UNCURBED TOLERANCES ANGULAR X. ±0.20mm ±15' .0 ±0.10mm .00 ±0.05mm .000 ±0.02mm UNCURBED SURFACE ROUGHNESS 		UNLESS OTHERWISE SPECIFIED ALL DIMENSIONS ARE IN MM BREAK ALL BURRS AND SHARP EDGES FIRST ANGLE PROJECTION		TITLE <h2 style="text-align: center;">ST2540-ACMW</h2>			DRAWING No. 00048MC022	
					MATERIAL ASSEMBLY			
DRAWN CHECKN AUDIT		PROGRAM STANDARD APPROVED		QUANTITY 1	WEIGHT	SCALE 1:3	ASSEMBLY No. 00048MC022	
		PROTON Products (Chengdu) LTD			ISSUE 01	REC.DOC	SHEET 1 OF 1	A2