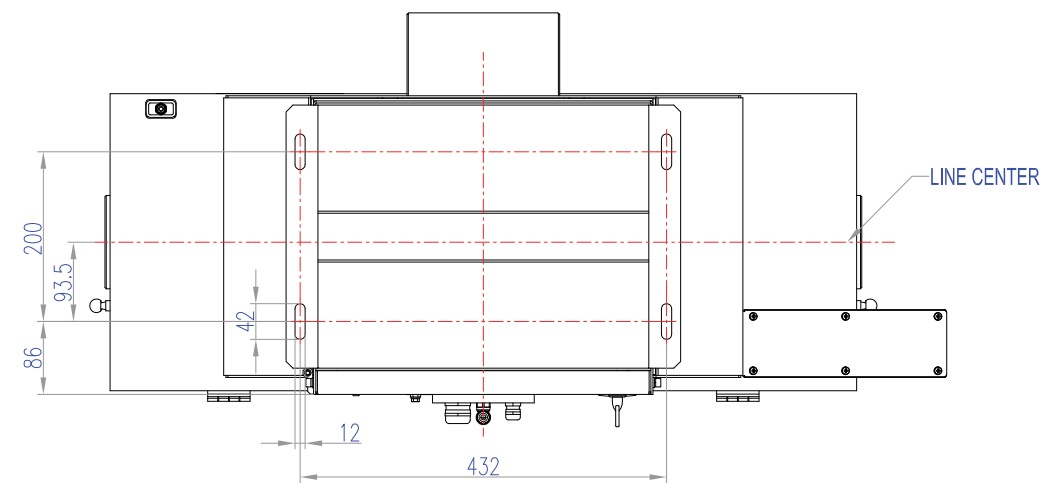


VIEW A



UNCURBED TOLERANCES ANGULAR X. $\pm 0.20\text{mm}$ $\pm 15'$.0 $\pm 0.10\text{mm}$.00 $\pm 0.05\text{mm}$.000 $\pm 0.02\text{mm}$ UNCURBED SURFACE ROUGHNESS $\sqrt{3.2}$		UNLESS OTHERWISE SPECIFIED ALL DIMENSIONS ARE IN MM BREAK ALL BURRS AND SHARP EDGES FIRST ANGLE PROJECTION		TITLE <h2 style="text-align: center;">ST2560E500-AC</h2>			DRAWING No. 00048MC007		
					MATERIAL ASSEMBLY				
					QUANTITY 1	WEIGHT	SCALE 1:3	ASSEMBLY No. 00048MC007	
DRAWN		PROGRAM		PROTON Products (Chengdu) LTD		ISSUE 01	REC.DOC		
CHECKN		STANDARD				SHEET 1 OF 1	A2		
AUDIT		APPROVED							