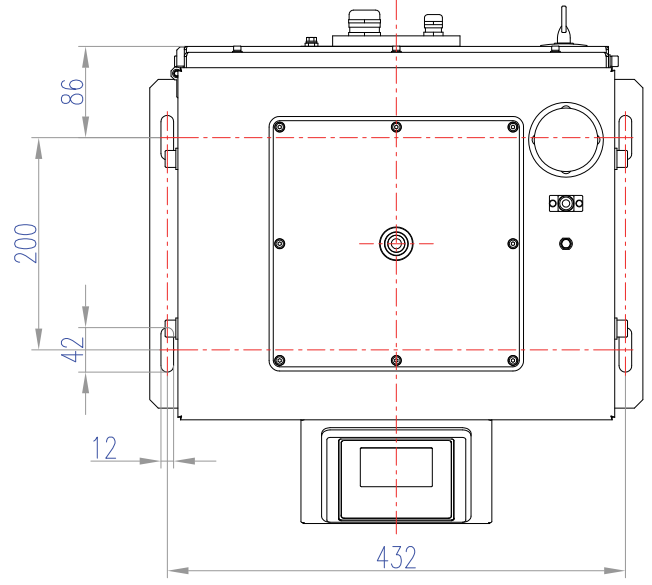
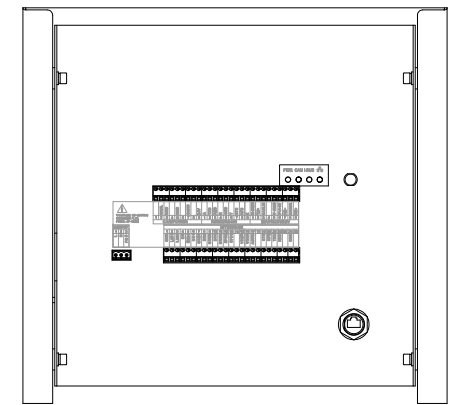
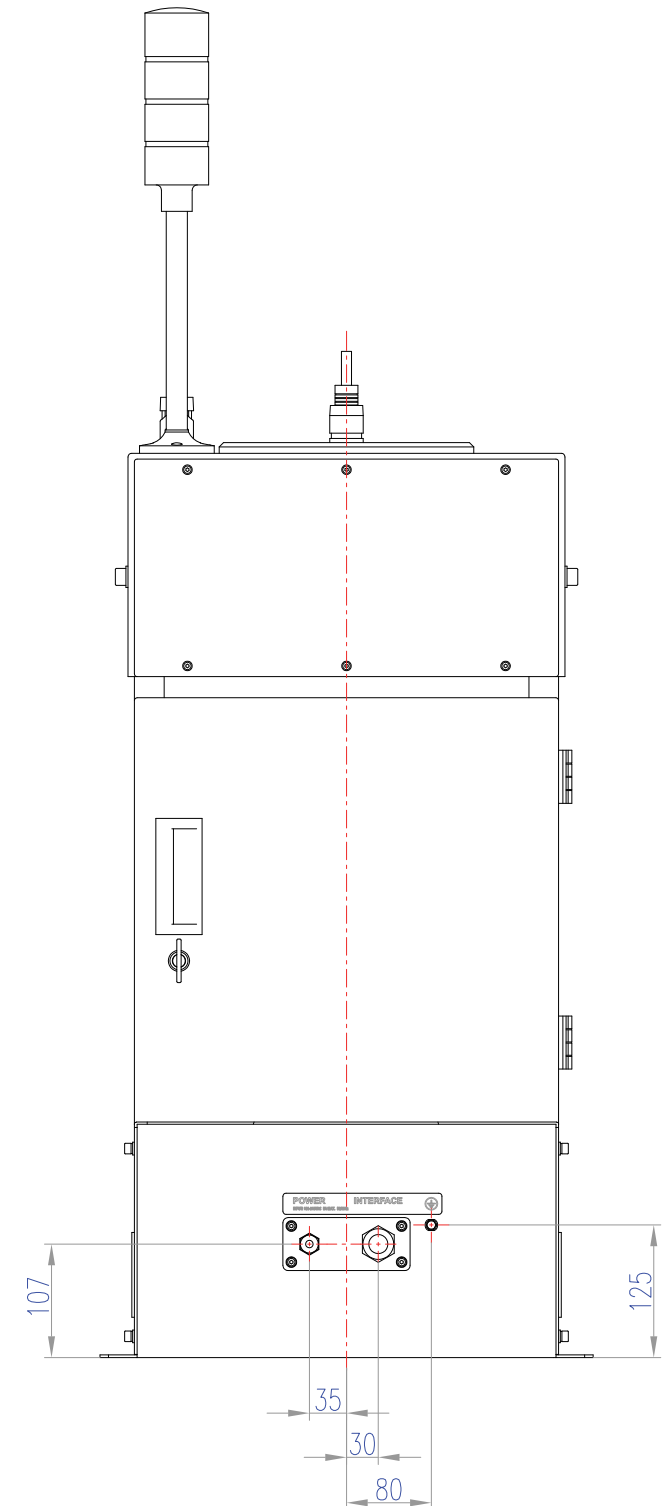
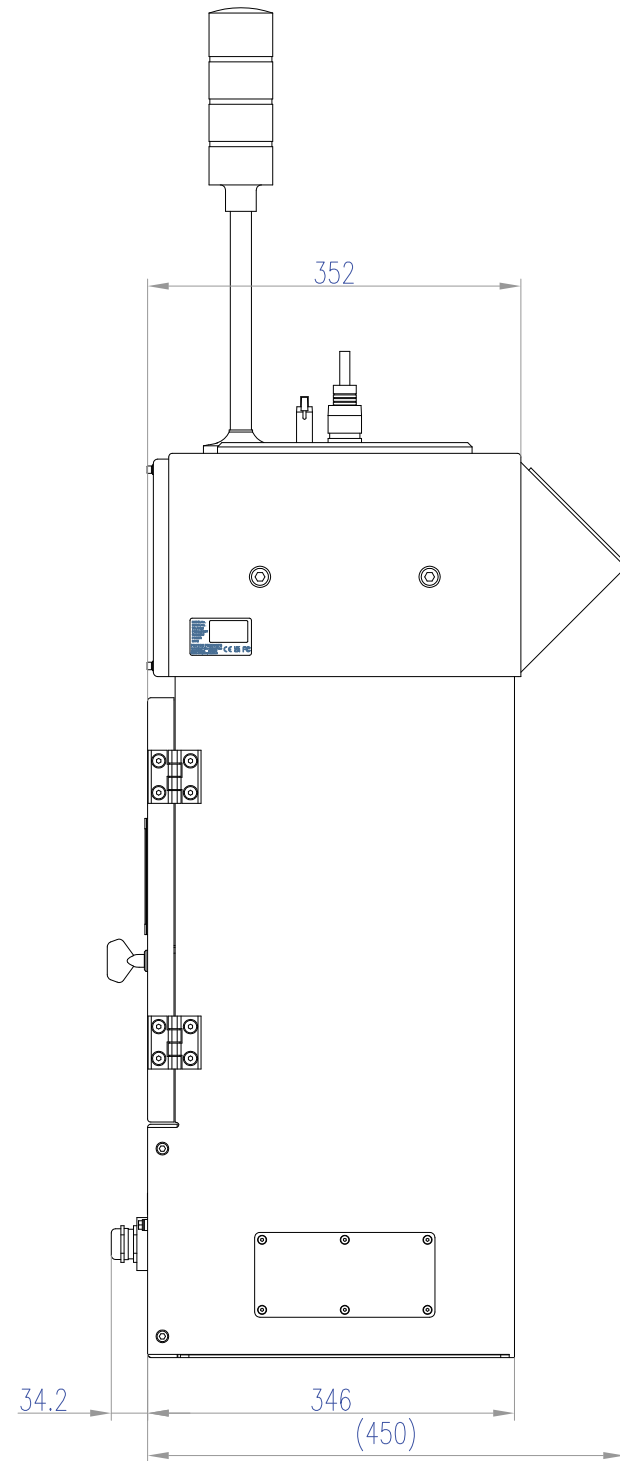
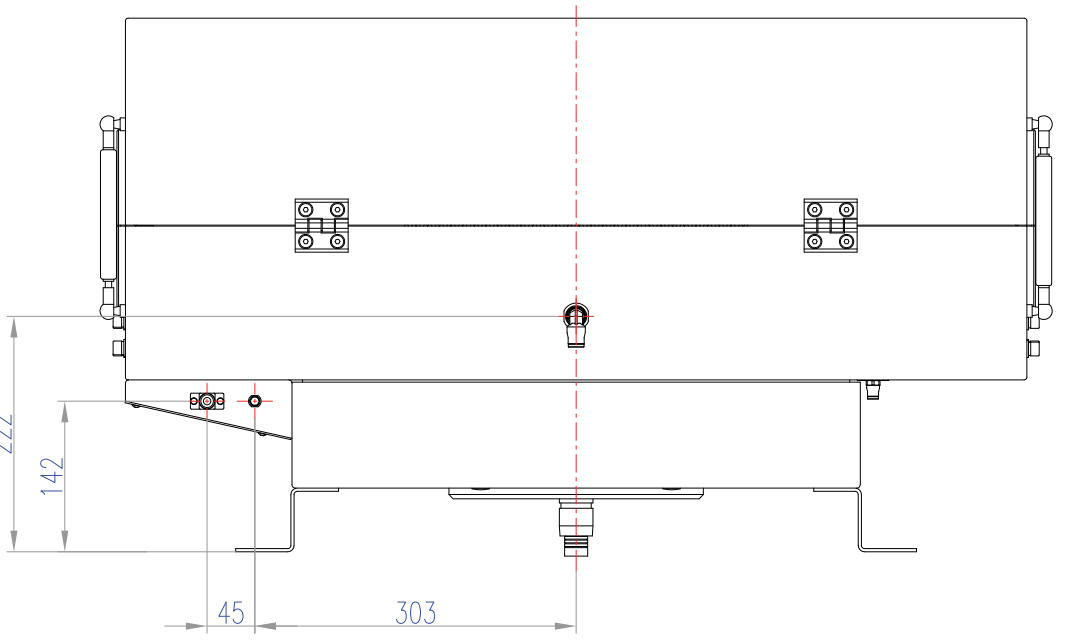
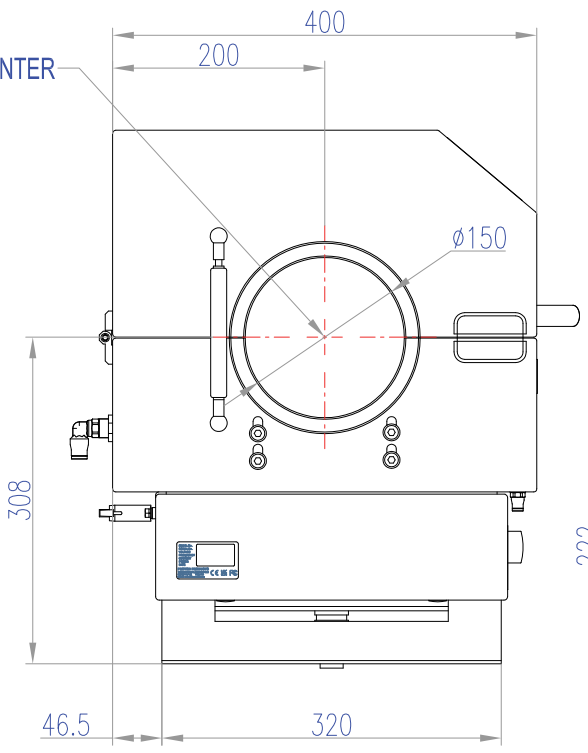
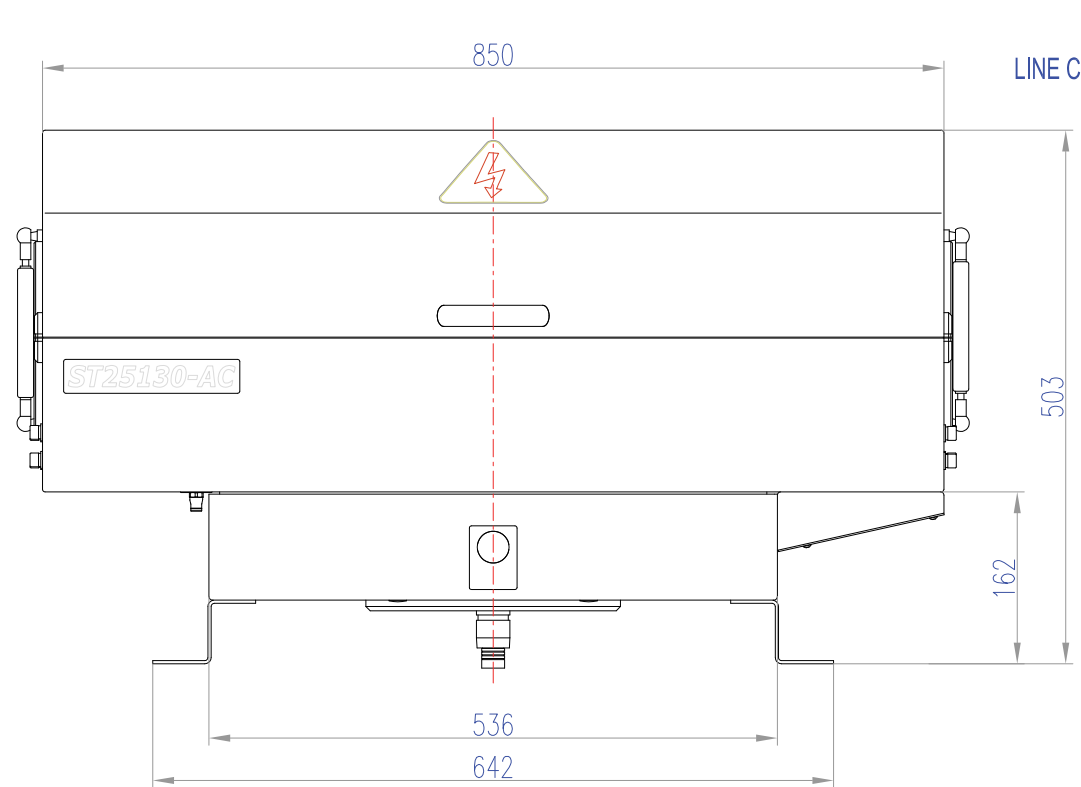
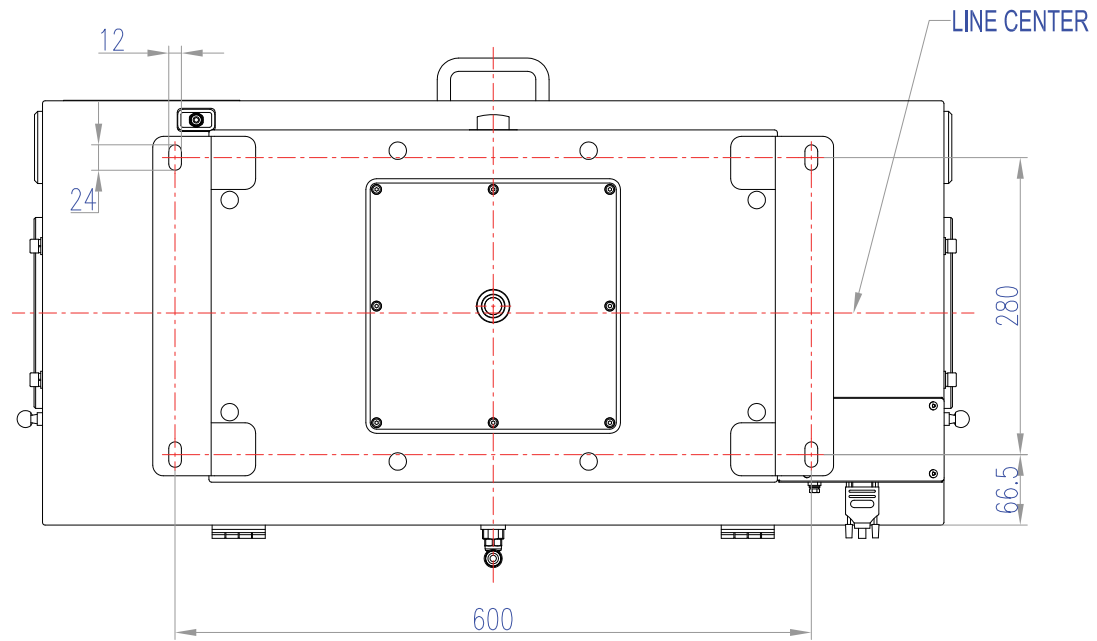


(1272.5)



UNCURBED TOLERANCES ANGULAR X. ±0.20mm ±15' .0 ±0.10mm .00 ±0.05mm .000 ±0.02mm UNCURBED SURFACE ROUGHNESS 		UNLESS OTHERWISE SPECIFIED ALL DIMENSIONS ARE IN MM BREAK ALL BURRS AND SHARP EDGES FIRST ANGLE PROJECTION		TITLE <h2 style="text-align: center;">ST25130R-AC</h2>			DRAWING No. 00048MC006				
		QUANTITY 1			WEIGHT 		SCALE 1:3		MATERIAL ASSEMBLY		
DRAWN 		PROGRAM 		PROTON PRODUCTS (Chengdu) LTD 			ASSEMBLY No. 00048MC006				
CHECKN 		STANDARD 		SHEET 1 OF 2			ISSUE 01		REC.DOC 		
AUDIT 		APPROVED 					SHEET 1 OF 2		A2		



UNCURBED TOLERANCES ANGULAR X. ±0.20mm ±15' .0 ±0.10mm .00 ±0.05mm .000 ±0.02mm UNCURBED SURFACE ROUGHNESS 		UNLESS OTHERWISE SPECIFIED ALL DIMENSIONS ARE IN MM BREAK ALL BURRS AND SHARP EDGES FIRST ANGLE PROJECTION		TITLE ST25130R-AC			DRAWING No. 00048MC006		
					MATERIAL ASSEMBLY				
					QUANTITY 1	WEIGHT	SCALE 1:3	ASSEMBLY No. 00048MC006	
DRAWN		PROGRAM		PROTON Products (Chengdu) LTD		ISSUE 01	REC.DOC		
CHECKN		STANDARD				SHEET 2 OF 2	A2		
AUDIT		APPROVED							