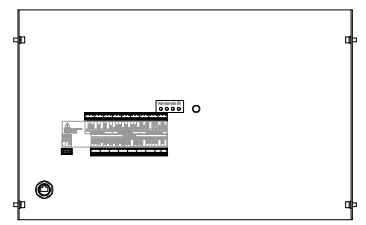
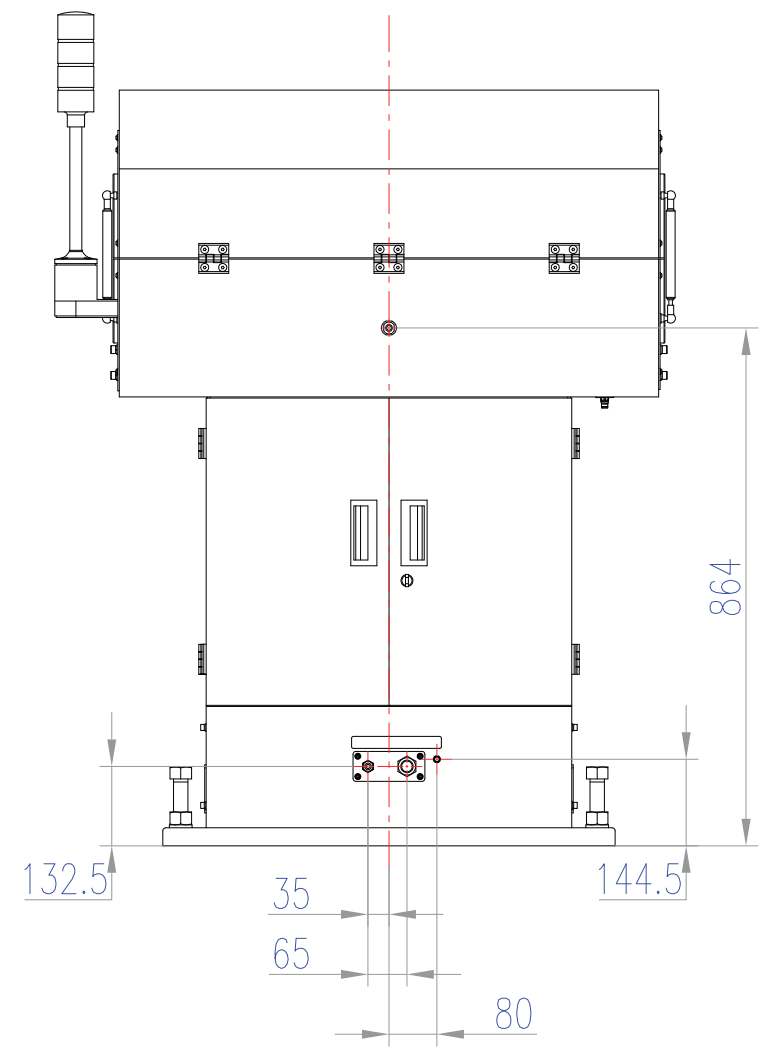
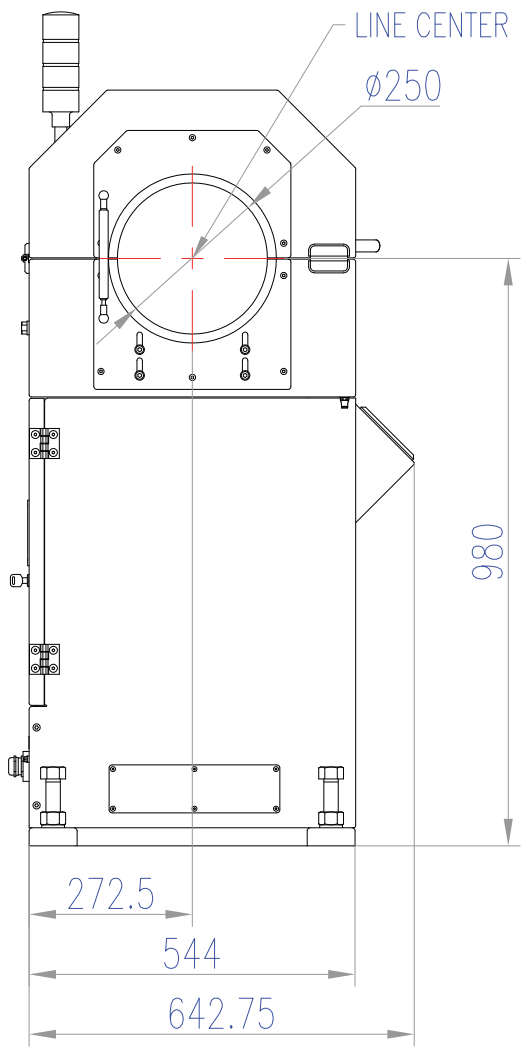
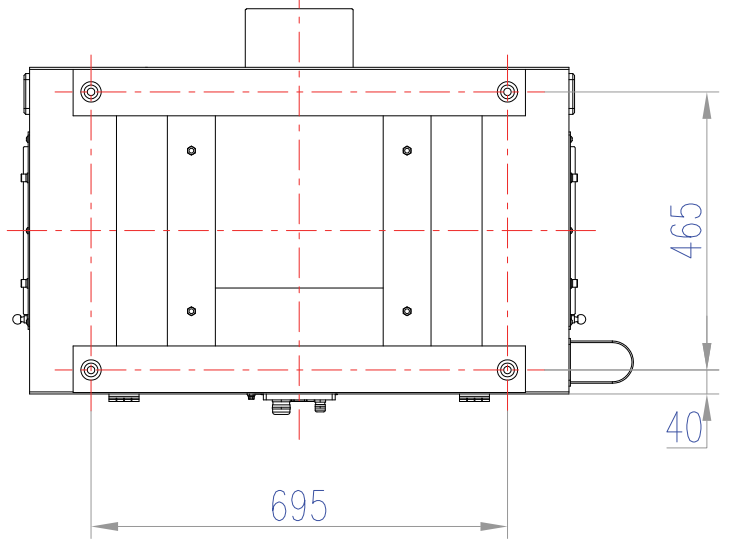


VIEW A



UNCURED TOLERANCES ANGULAR 除非另有规定 X: $\pm 0.20\text{mm}$ $\pm 15'$ D: $\pm 0.10\text{mm}$ Ø: $\pm 0.05\text{mm}$ UNFINISHED SURFACE ROUGHNESS 除非另有规定: $\sqrt{3.2}$		UNLESS OTHERWISE SPECIFIED ALL DIMENSIONS ARE IN MM 除非另有规定所有尺寸均以毫米 BREAK ALL BURRS AND SHARP EDGES 除非另有规定所有锐边均须倒圆 FIRST ANGLE PERSPECTIVE		TITLE ST30150-AC		DRAWING No. 00048MC005	
DRAWN		PROOF		QUANTITY		WEIGHT	
CHECK		SIGNING		SCALE		ASSEMBLY No.	
AUDIT		APPROVED		1:10		00048MC005	
博腾电子产品(成都)有限公司 PROTON Products (Chengdu) LTD.				ISSUE		REC.DOC	
				SHEET		1 OF 1 A1	