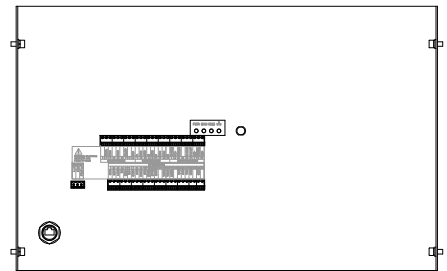
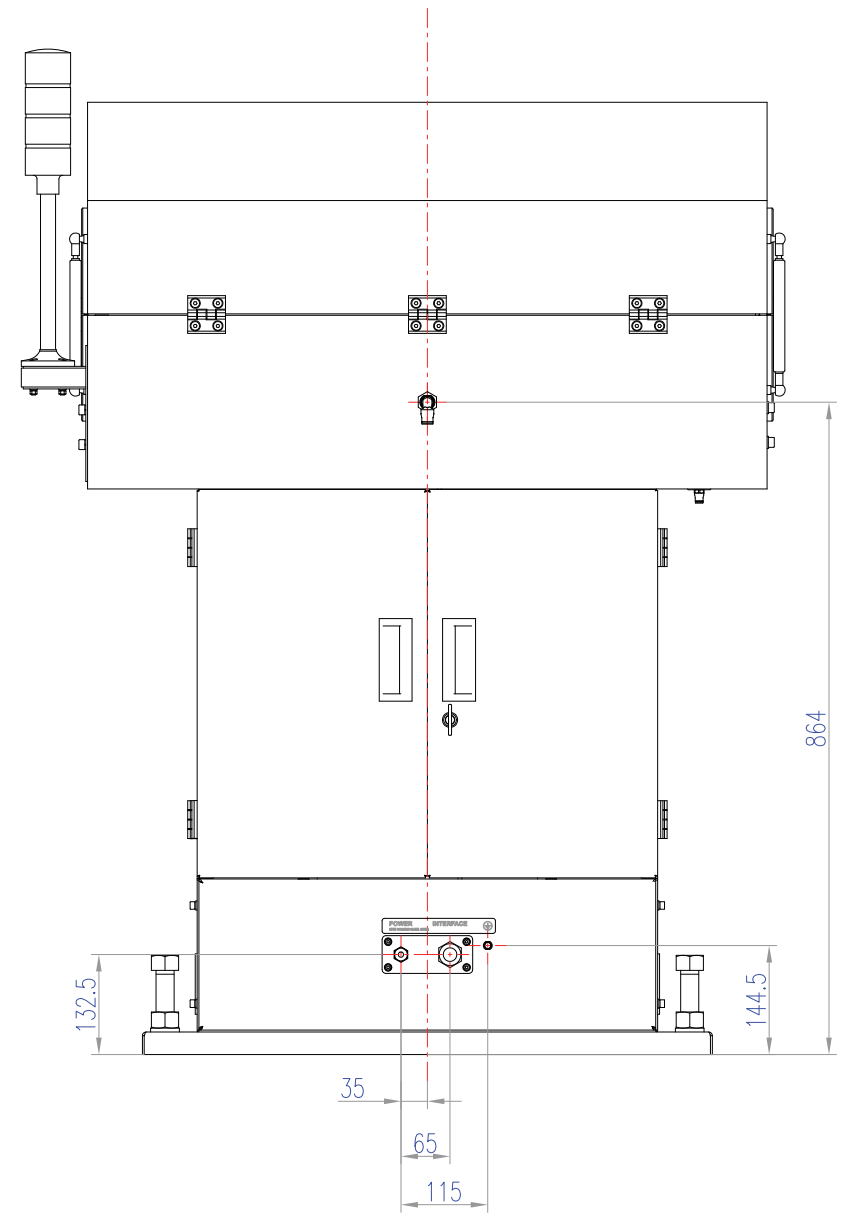
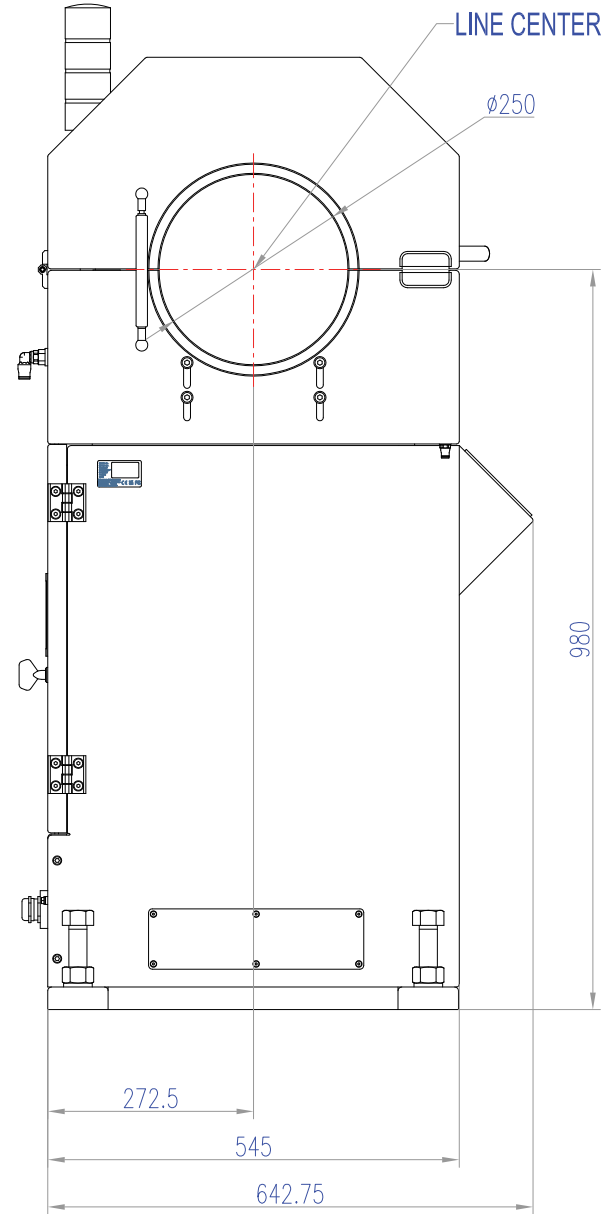
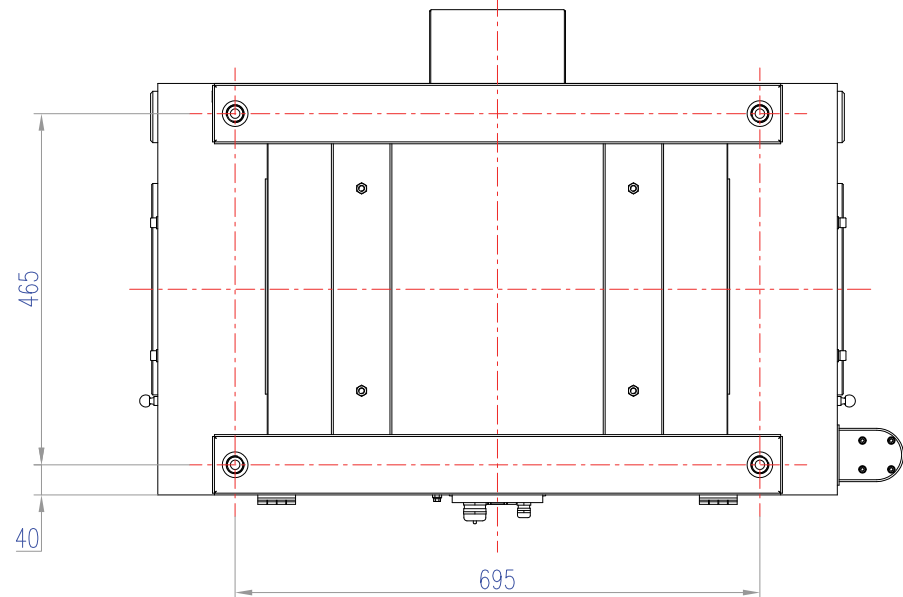


VIEW A



UNCURVED TOLERANCES ANGULAR 除非另有规定 X: $\pm 0.20\text{mm}$ $\pm 15'$ D: $\pm 0.10\text{mm}$.00 $\pm 0.05\text{mm}$.000 $\pm 0.02\text{mm}$ UNCURVED SURFACE ROUGHNESS 除非另有规定 R		UNLESS OTHERWISE SPECIFIED ALL DIMENSIONS ARE IN MM BREAK ALL BURRS AND SHARP EDGES 除非另有规定 所有毛刺和锐边均须去除 FIRST ANGLE PROJECTION		TITLE ST30100-AC		DRAWING No. 00048MC004	
DRAWN CHECKED AUDIT		PROOFING SIGNING APPROVED		QUANTITY -		WEIGHT -	
PROTON 博腾电子产品(成都)有限公司 PROTON Products (Chengdu) LTD.		SCALE 1:5		ASSEMBLY No. 00048MC004		ISSUE 01 REC.DOC SHEET 1 OF 1 A1	