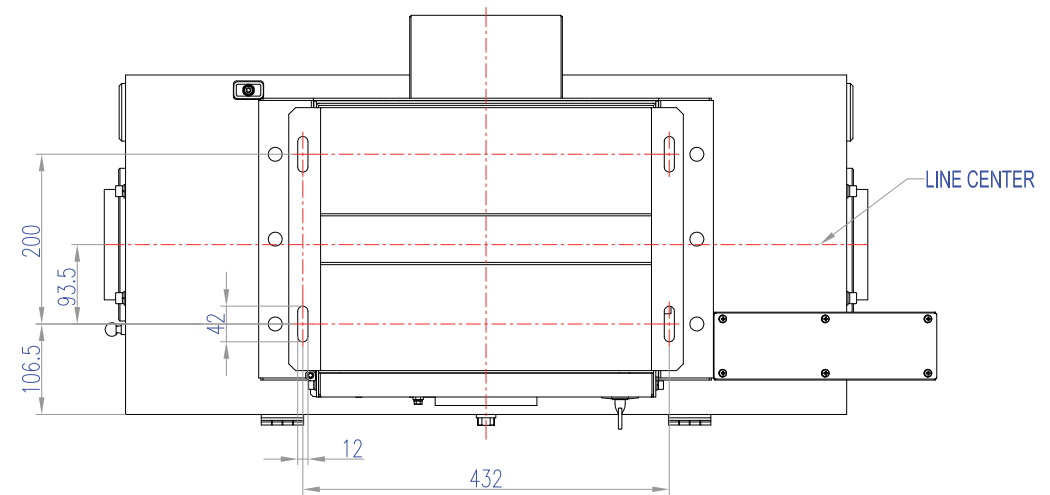
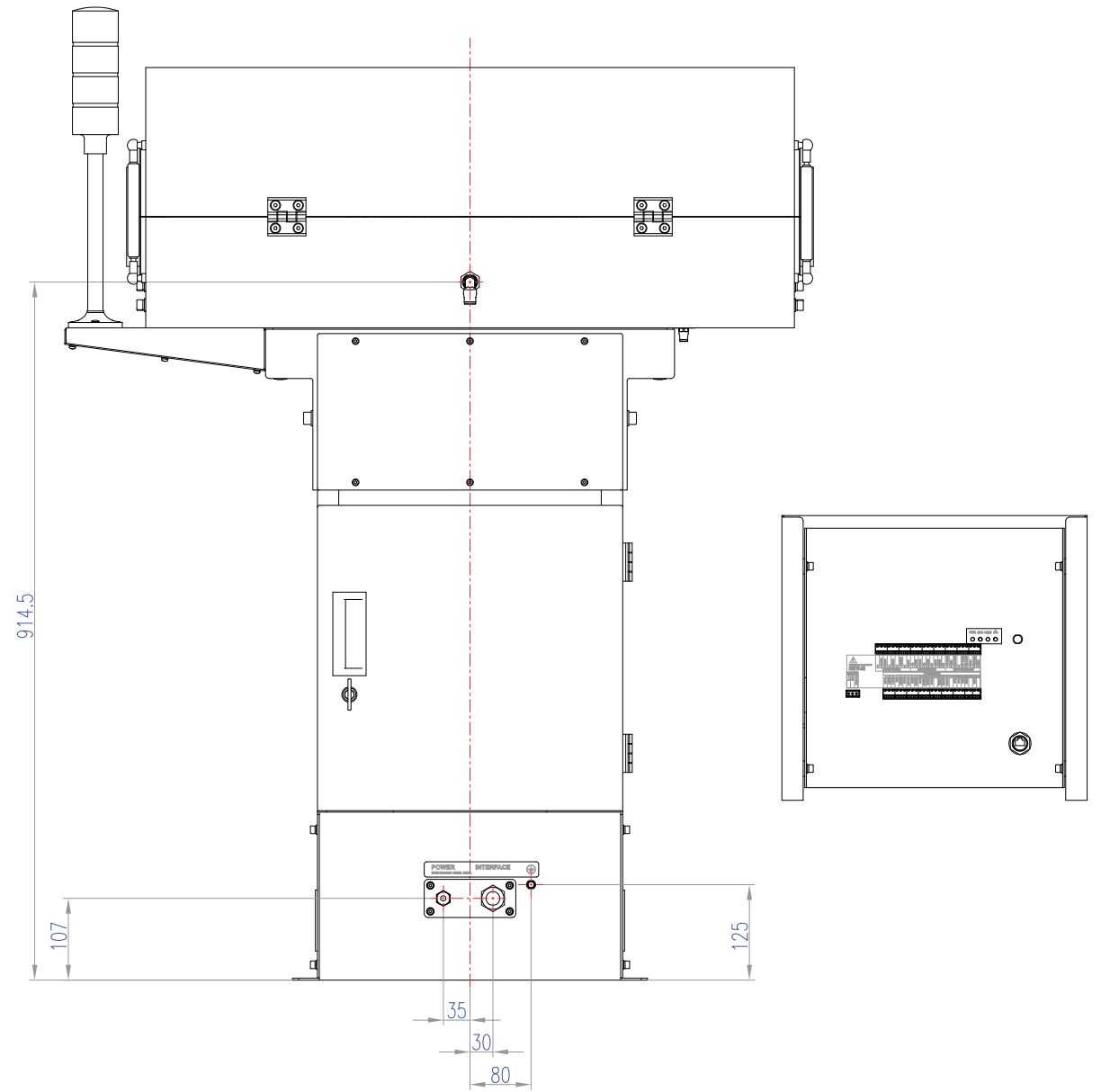
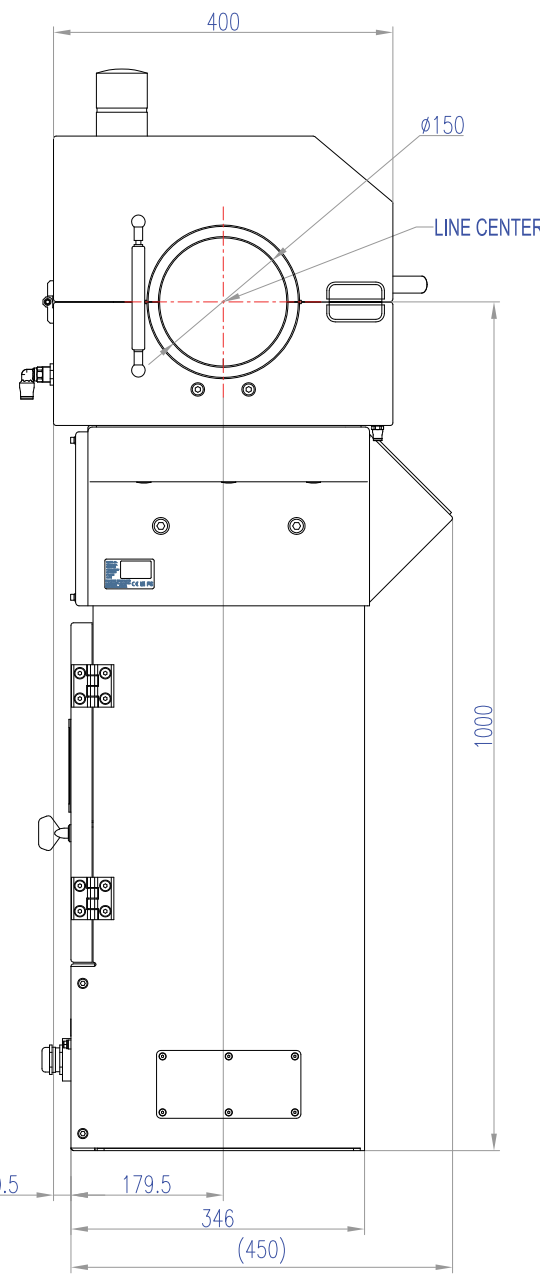


VIEW A



UNCURBED TOLERANCES ANGULAR X. $\pm 0.20\text{mm}$ $\pm 15'$.0 $\pm 0.10\text{mm}$.00 $\pm 0.05\text{mm}$.000 $\pm 0.02\text{mm}$ UNCURBED SURFACE ROUGHNESS $\sqrt{3.2}$	UNLESS OTHERWISE SPECIFIED ALL DIMENSIONS ARE IN MM BREAK ALL BURRS AND SHARP EDGES FIRST ANGLE PROJECTION	TITLE			DRAWING No.	
		ST25100-AC			00048MC003	
DRAWN CHECKN AUDIT	PROGRAM STANDARD APPROVED	QUANTITY	WEIGHT	SCALE	ASSEMBLY No.	
		1		1:3	00048MC003	
PROTON Products (Chengdu) LTD		ISSUE	01	REC.DOC		
		SHEET	1 OF 1	A2		