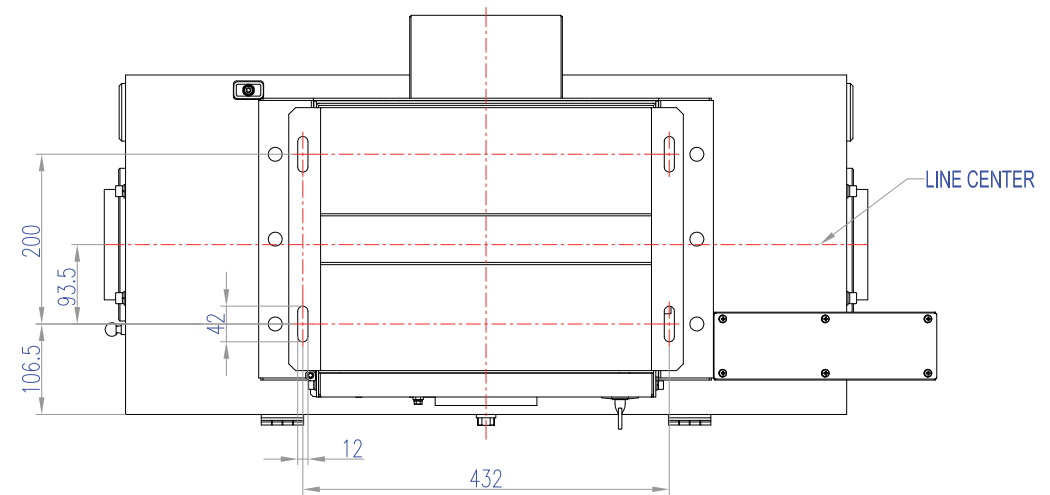
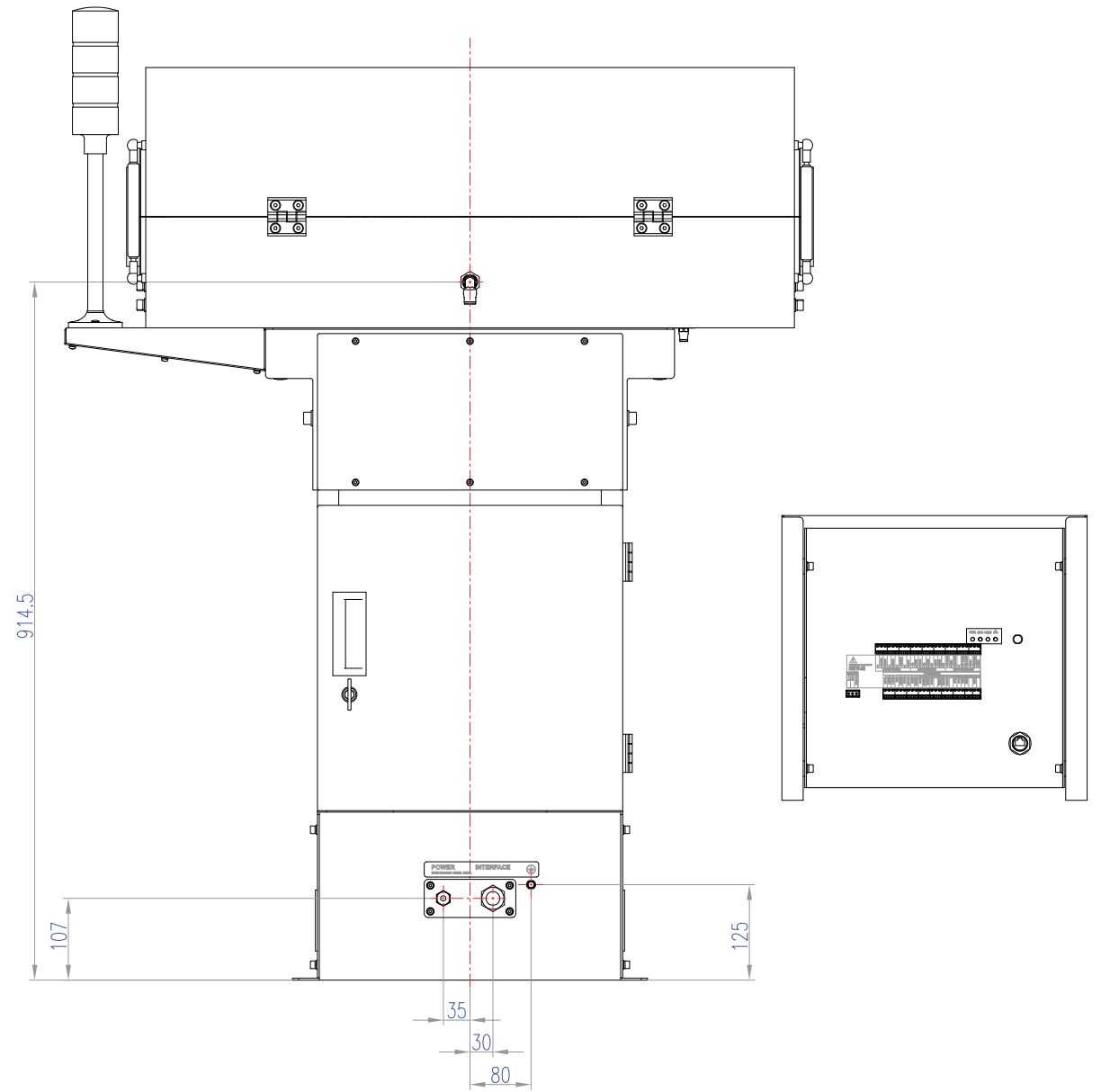
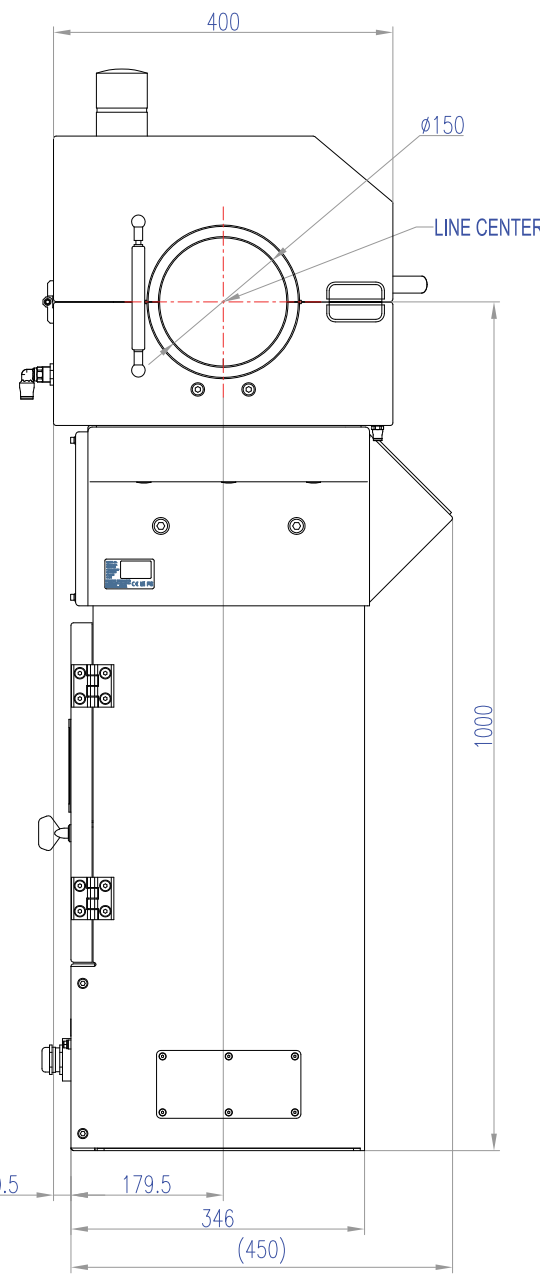


VIEW A



UNCURBED TOLERANCES ANGULAR X. $\pm 0.20\text{mm}$ $\pm 15'$ .0 $\pm 0.10\text{mm}$ .00 $\pm 0.05\text{mm}$ .000 $\pm 0.02\text{mm}$ UNCURBED SURFACE ROUGHNESS $\sqrt{3.2}$	UNLESS OTHERWISE SPECIFIED ALL DIMENSIONS ARE IN MM BREAK ALL BURRS AND SHARP EDGES	TITLE			DRAWING No.		
		ST25130-AC			00048MC002		
FIRST ANGLE PROJECTION	PROGRAM STANDARD APPROVED	QUANTITY	WEIGHT	SCALE	ASSEMBLY No.		
		1		1:3	00048MC002		
DRAWN		PROTON Products (Chengdu) LTD			ISSUE	01	REC.DOC
CHECKN					SHEET	1 OF 1	A2
AUDIT							