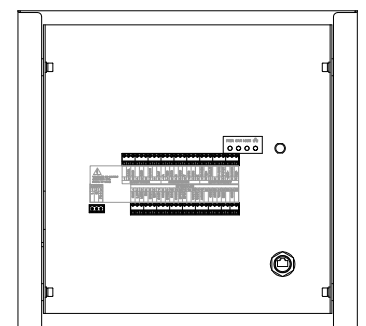
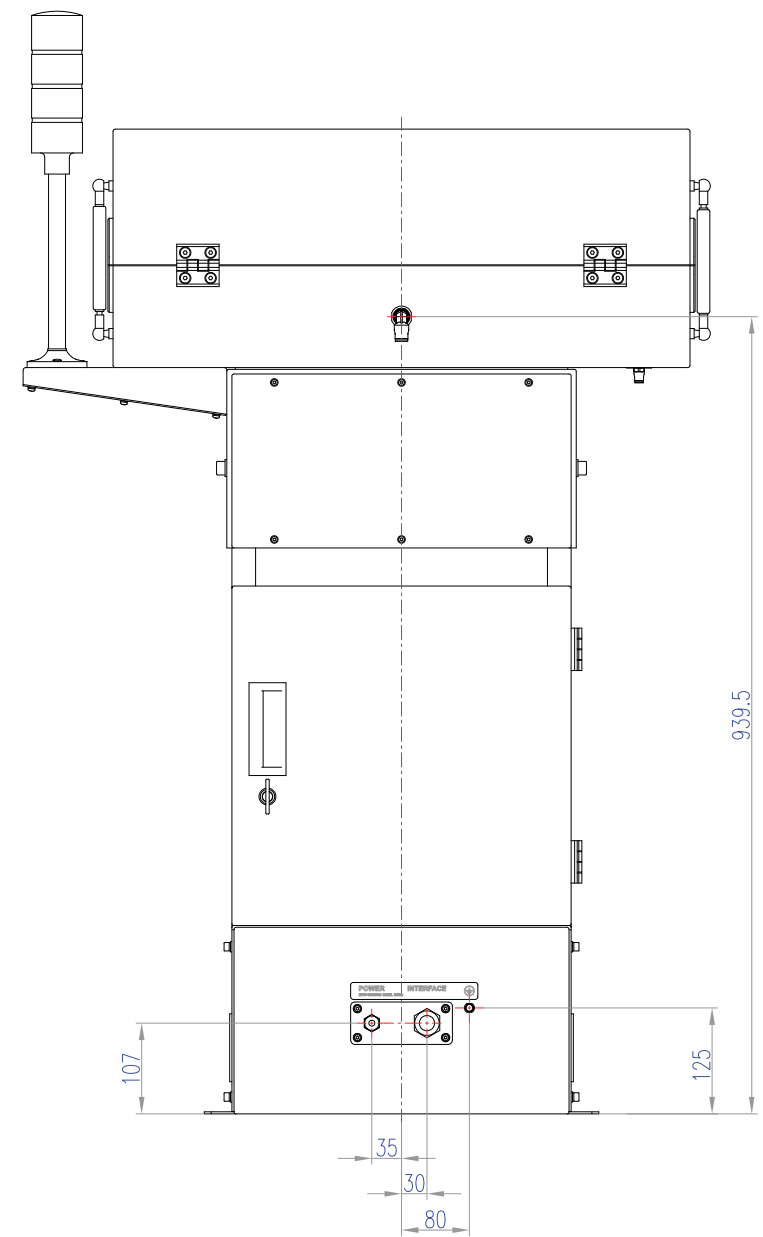
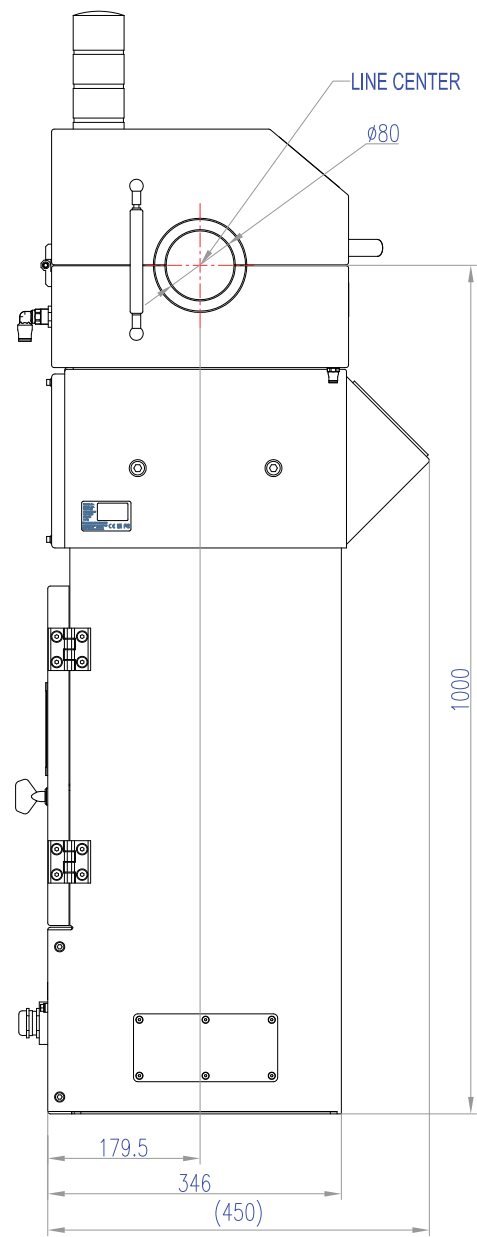
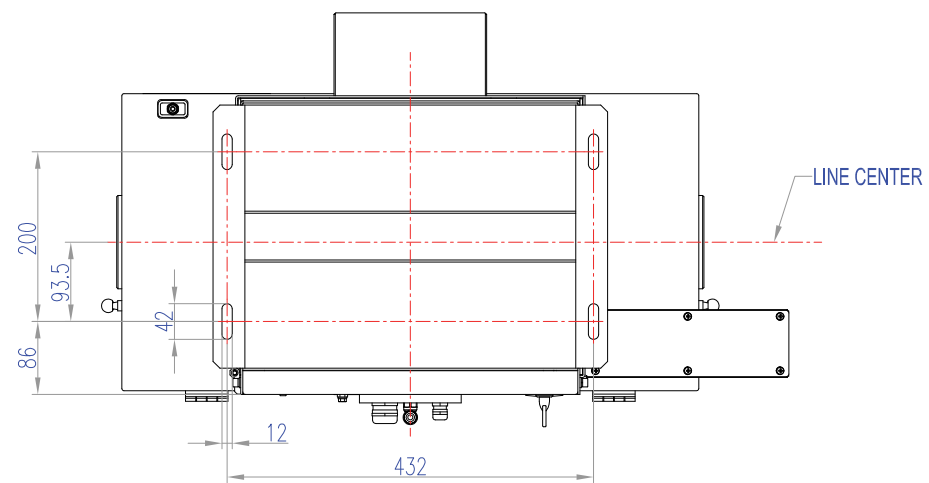


(1299.5)

VIEW A



UNCURBED TOLERANCES ANGULAR X. ±0.20mm ±15' .0 ±0.10mm .00 ±0.05mm .000 ±0.02mm UNCURBED SURFACE ROUGHNESS 	UNLESS OTHERWISE SPECIFIED ALL DIMENSIONS ARE IN MM BREAK ALL BURRS AND SHARP EDGES FIRST ANGLE PROJECTION	TITLE			DRAWING No.		
		ST2560-AC			00048MC001		
DRAWN CHECKN AUDIT	PROGRAM STANDARD APPROVED	QUANTITY	WEIGHT	SCALE	ASSEMBLY No.		
		1		1:3	00048MC001		
PROTON Products (Chengdu) LTD		ISSUE	01	REC.DOC			
		SHEET	1 OF 1	A2			